

NOTES (UNLESS OTHERWISE SPECIFIED):

RATING TO BE MARKED ON ROCKER:

16A 125/250VAC
20A 125VAC
3/4HP 125/250VAC

16(4)A 250V~T125/55
10(2)A 250V~T125/55 50E3
16(8)A 250V~T125/55

16(4)A 125/250V~

DIELECTRIC WITHSTAND VOLTAGE: 1000VAC 1 MINUTE

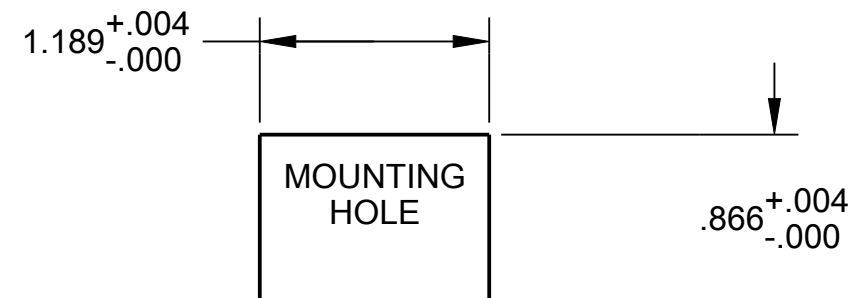
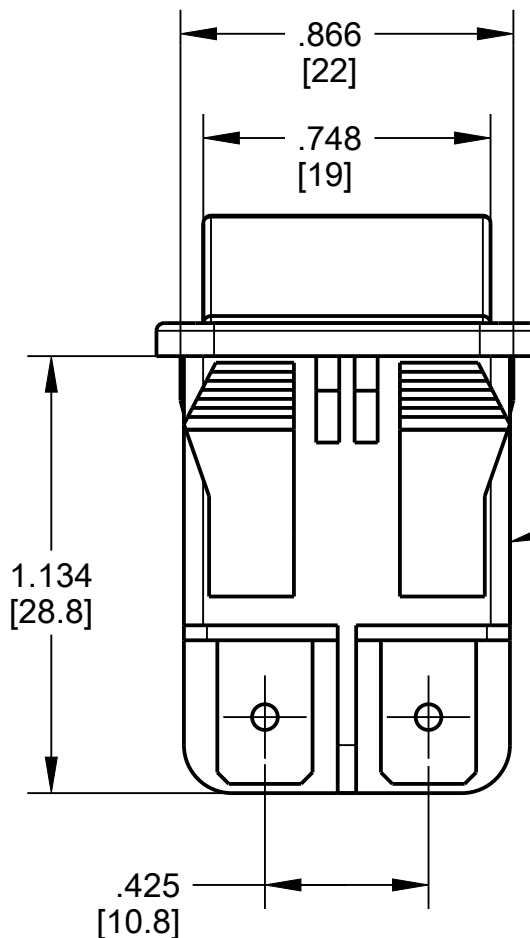
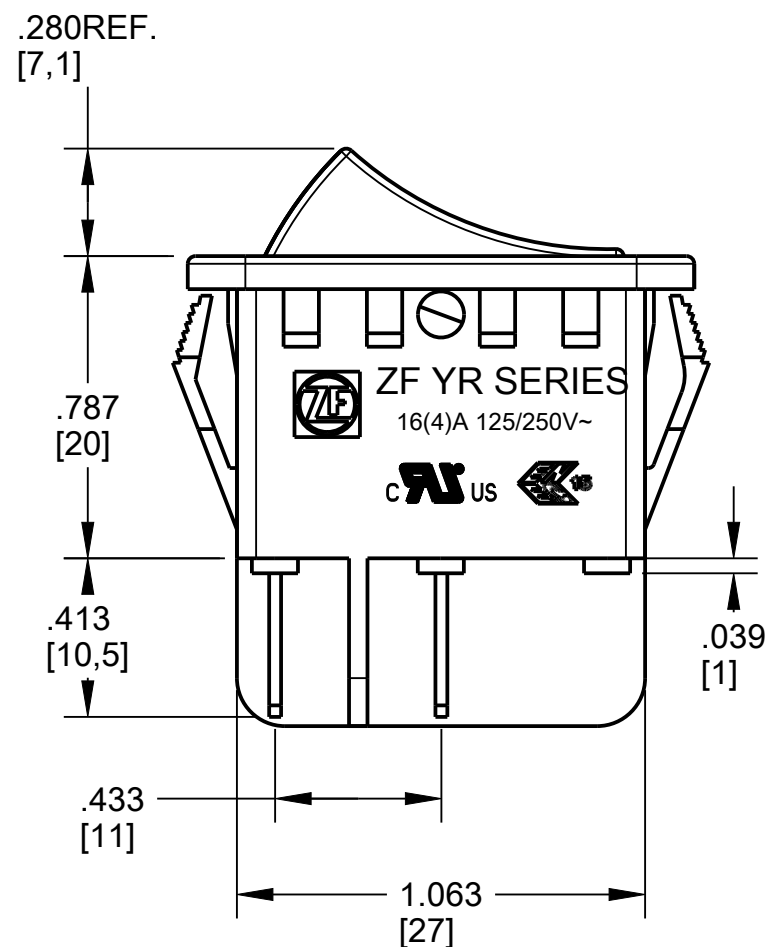
INSULATION RESISTANCE: 100M Ω MIN. AT 500 VDC.

INITIAL CONTACT RESISTANCE: 20mΩ (MAX.)

TERMINALS: .248+.004/-.002 (6.3) WIDE X .031±.001 (0.8) THICK.
HOLE Ø .067±.004 (1.7); 4 PLACES.

LENS: RED.

ILLUMINATION: 100-125VAC.



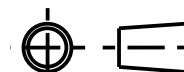
RECOMMENDED PANEL THICKNESS
.030 TO .049
(0.75 TO 1.25mm)



MARKING

DWN: TLM
APVD: ELL
DATE: 2024-05-15

THIRD ANGLE PROJECTION



PROJECT/ CSR

CONFIDENTIAL AND PROPRIETARY:
ALL INFORMATION OR INVENTIONS CONTAINED IN THIS DOCUMENT OR DERIVED FROM THE INFORMATION THEREIN IS OWNED BY ZF ELECTRONIC SYSTEMS, AND IS CONFIDENTIAL AND PROPRIETARY. REVIEW OR POSSESSION OF THIS DOCUMENT INDICATES AGREEMENT THAT SUCH INFORMATION AND INVENTIONS WILL NOT BE DISCLOSED, REPRODUCED OR OTHERWISE USED IN ANY WAY WITHOUT EXPRESS WRITTEN PERMISSION FROM AN AUTHORIZED REPRESENTATIVE OF ZF ELECTRONIC SYSTEMS.



ZF Electronic Systems

PLEASANT PRAIRIE, WISCONSIN U.S.A.

NAME / DESCRIPTION

SPECIFICATION DRAWING

ITEM NO. YRM32F2BBRLN

SCALE: 2:1 SH 1 OF 1

G	CNP00098476	2024-05-15	ELL	TCH
REV	ECO NO.	DATE	PREP	APVD

TOLERANCE UNLESS SPECIFIED			
DWG UNITS	X.XX	X.XXX	ANGLES
INCH	± 0.02	± 0.012	± 5.0°

ORIGINAL ON PROJE