

NOTES (UNLESS OTHERWISE SPECIFIED):

RATING TO BE MARKED ON ROCKER:

16A 125/250VAC
 20A 125VAC
 3/4HP 125/250VAC

16(4)A 250V~T125/55
 10(2)A 250V~T125/55 50E3
 16(8)A 250V~T125/55

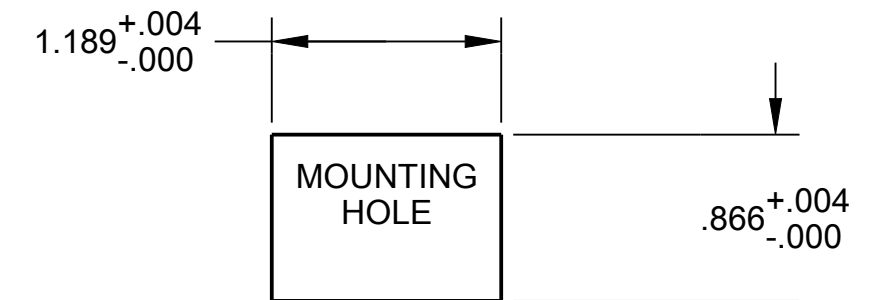
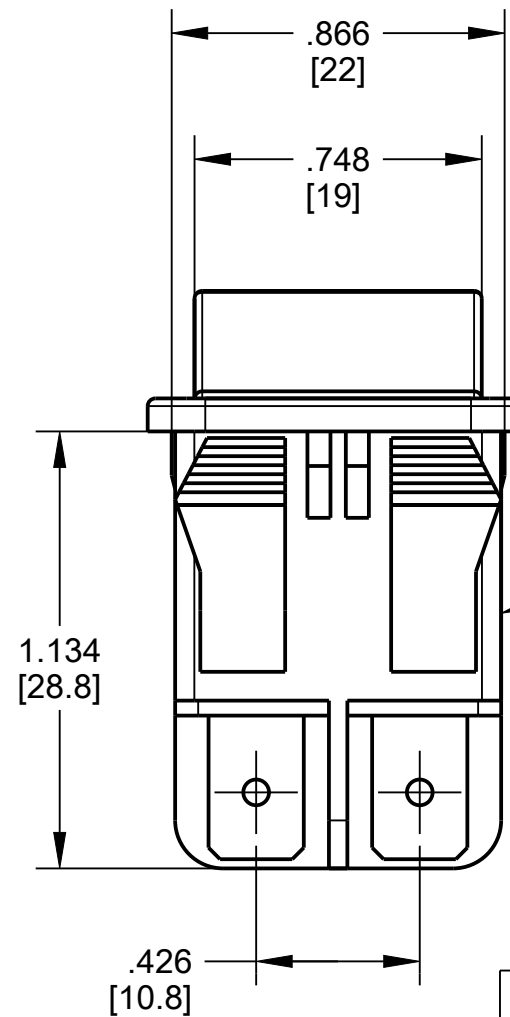
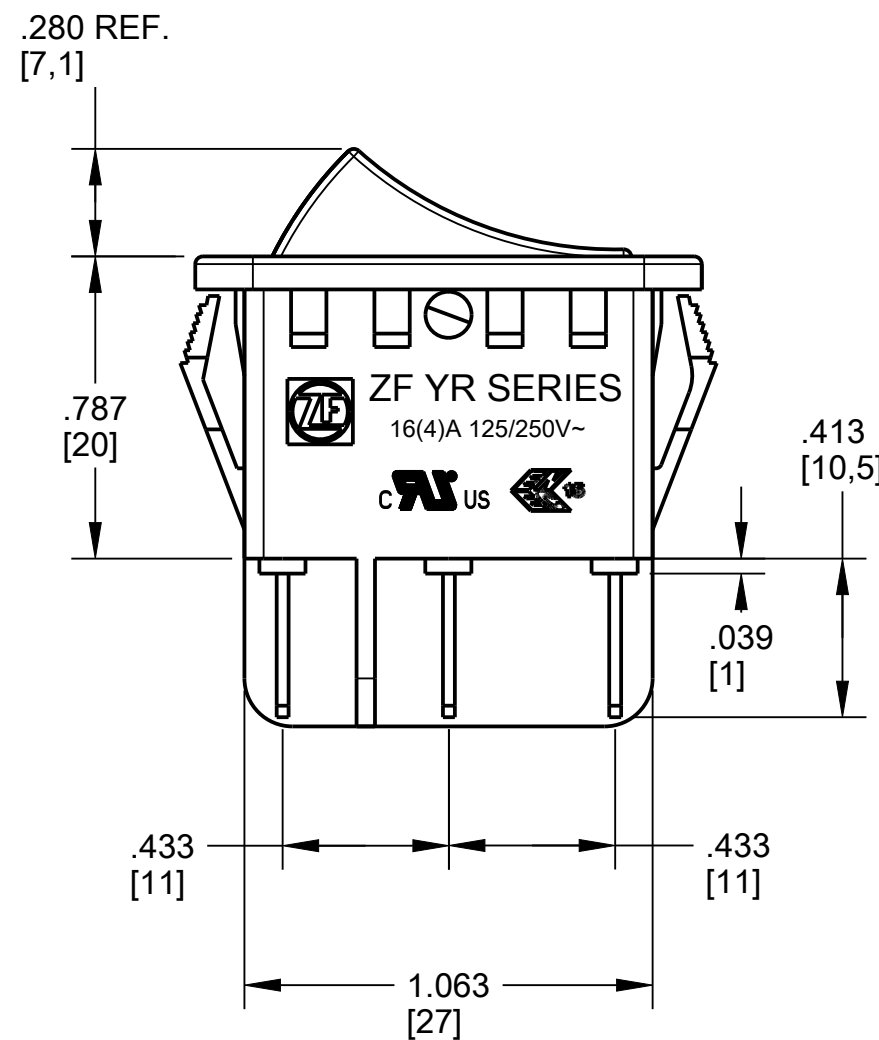
16(4)A 125/250V~

DIELECTRIC WITHSTAND VOLTAGE: 1000VAC 1 MINUTE

INSULATION RESISTANCE: 100M Ω MIN. AT 500 VDC.

INITIAL CONTACT RESISTANCE: 20mΩ (MAX.)

TERMINALS: .250 (6.3) WIDE X .031 (0.8) THICK.
 HOLE Ø .067 (1.7); 6 PLACES.



RECOMMENDED PANEL THICKNESS
 .030 TO .049 INCHES
 (0.75 TO 1.25mm)

DWN: TLM
 APVD: ELL
 DATE: 13-Apr-11

THIRD ANGLE PROJECTION



CONFIDENTIAL AND PROPRIETARY:
 ALL INFORMATION OR INVENTIONS CONTAINED IN THIS
 DOCUMENT OR DERIVED FROM THE INFORMATION THERE
 IN IS OWNED BY ZF ELECTRONIC SYSTEMS, AND IS
 CONFIDENTIAL AND PROPRIETARY. REVIEW OR
 POSSESSION OF THIS DOCUMENT INDICATES AGREEMENT
 THAT SUCH INFORMATION AND INVENTIONS WILL NOT BE
 DISCLOSED, REPRODUCED OR OTHERWISE USED IN ANY
 WAY WITHOUT EXPRESS WRITTEN PERMISSION FROM AN
 AUTHORIZED REPRESENTATIVE OF ZF ELECTRONIC
 SYSTEMS.



ZF Electronic Systems

PLEASANT PRAIRIE, WISCONSIN U.S.A.

NAME / DESCRIPTION

SPECIFICATION DRAWING

TOLERANCE UNLESS SPECIFIED			
DWG UNITS	X.XX	X.XXX	ANGLES
INCH	± 0.02	± 0.012	± 5.0°

B	ITEM NO. YRM33F2BBBNN
SCALE:	2:1 SH 1 OF 1

F		2024-05-16	ELL	TCH
REV	ECO NO.	DATE	PREP	APVD
				4000000138

PROJECT/ CSR
 4000000138

ORIGINAL ON PROJE