

NOTES: (UNLESS OTHERWISE SPECIFIED):

1. RATING TO BE MARKED ON ROCKER:

**CAI** US 16A 125VAC 1/4HP  
 16A 250VAC 1/4HP  
 3/4HP 250 VAC

**CAI** US 16(4)A 250V-T85/55 10E3  
 16(4)A 125/250V~

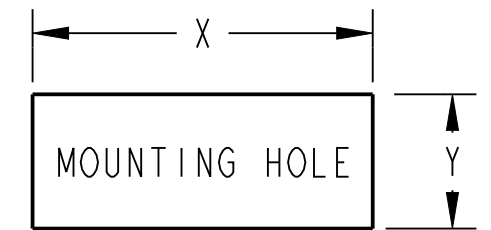
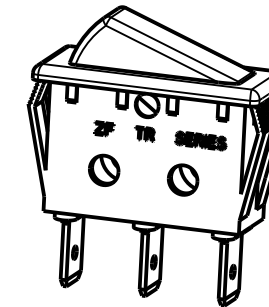
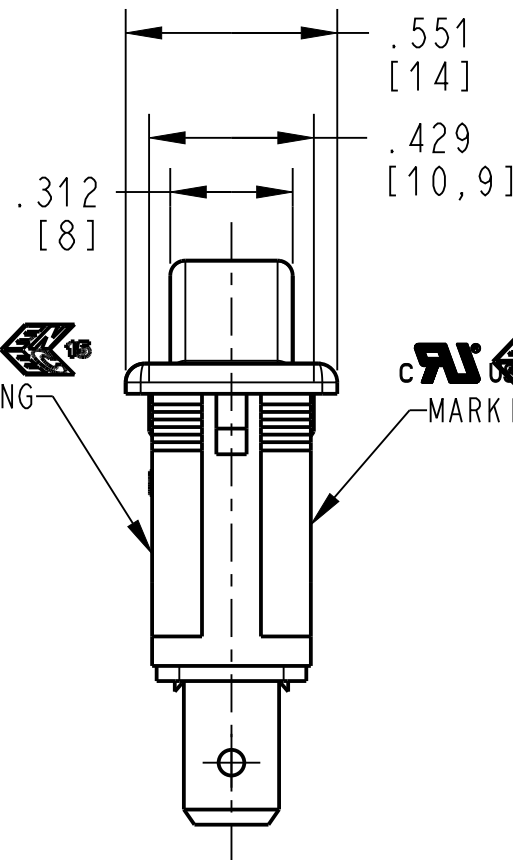
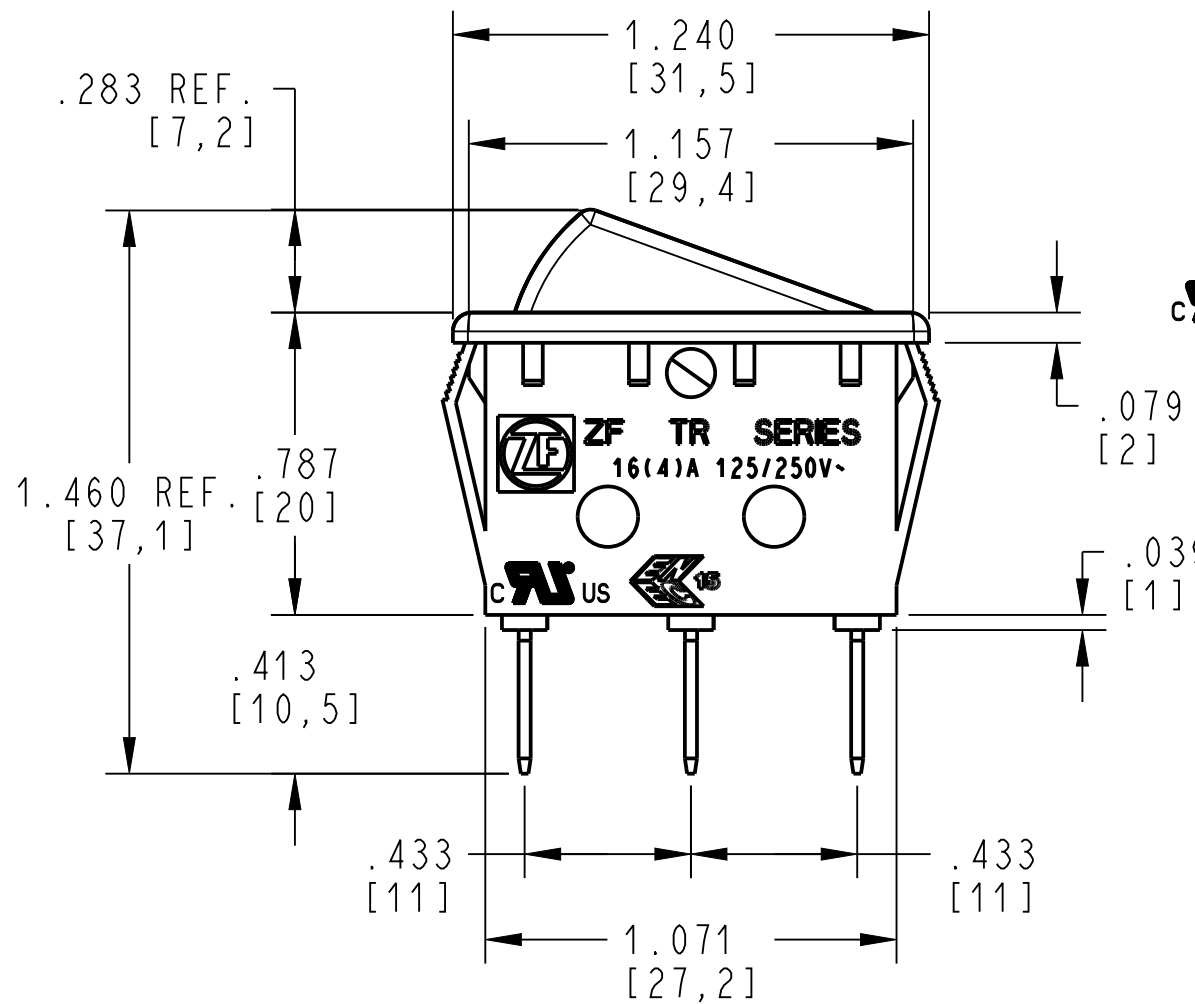
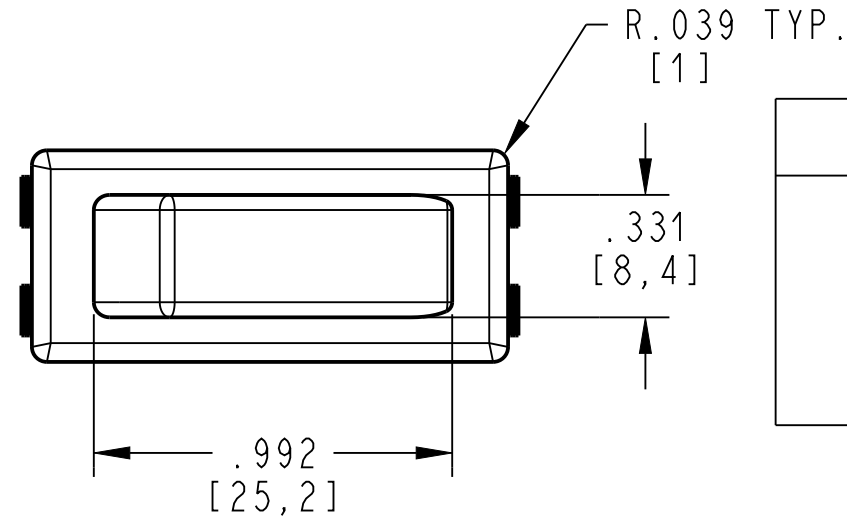
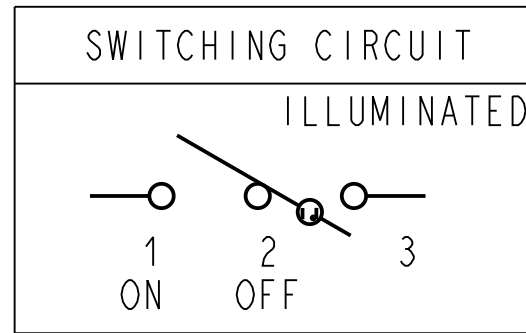
2. DIELECTRIC WITHSTAND VOLTAGE: 1,500 VAC FOR 1 MINUTE.  
 INSULATION RESISTANCE: 100MΩ MIN AT 500 VDC  
 INITIAL CONTACT RESISTANCE: 20mΩ (MAX.)

3. RECOGNIZED TO U.S. AND CANADIAN REQUIREMENTS  
 UNDER THE COMPONENT RECOGNITION PROGRAM OF  
 UNDERWITERS LABORATORIES, INC.

4. MAINTAINED SWITCH SHOWN IN THE NORMALLY OPEN POSITION

5. TERMINALS (3): .248+ .004/- .002 [6,3+0,1/-0,05]  
 X .031± .001 [0,8±0,03] QUICK CONNECT  
 HOLE DIAMETER .067± .004 [1,7±0,1].

6. ILLUMINATION: 250 VAC



DIM. X	DIM. Y	Z= PANEL THICKNESS
1.181+ .004/- .000 [30.0+0.1/-0.0]	.433+ .004/- .000 [11.0+0.1/-0.0]	.030 TO .049 [0.75 TO 1.25]
1.189+ .004/- .000 [30.2+0.1/-0.0]	.433+ .004/- .000 [11.0+0.1/-0.0]	.049 TO .079 [1.25 TO 2.00]
1.200+ .004/- .000 [30.5+0.1/-0.0]	.433+ .004/- .000 [11.0+0.1/-0.0]	.079 TO .118 [2.0 TO 3.0]

DWN: E. LESLIE  
 APVD: E. LESLIE  
 DATE: 2025-06-25

THIRD ANGLE PROJECTION



PROJECT/ CSR  
 N/A



**ZF Electronic Systems**

PLEASANT PRAIRIE, WISCONSIN U.S.A.

NAME / DESCRIPTION

SPECIFICATION DRAWING

**B** ITEM NO. TRG22F2BBREN

SCALE: 1:1 SH 1 OF 1

L	ECO NO.	DATE	PREP	APVD
		2025-06-25	ELL	ELL

TOLERANCE UNLESS SPECIFIED			
DWG UNITS	X.XX	X.XXX	ANGLES
INCH	± 0.02	± 0.012	± 5.0 °

ORIGINAL ON PROJE