

Rocker Switch

Single Pole SR Series – SRJ



Features

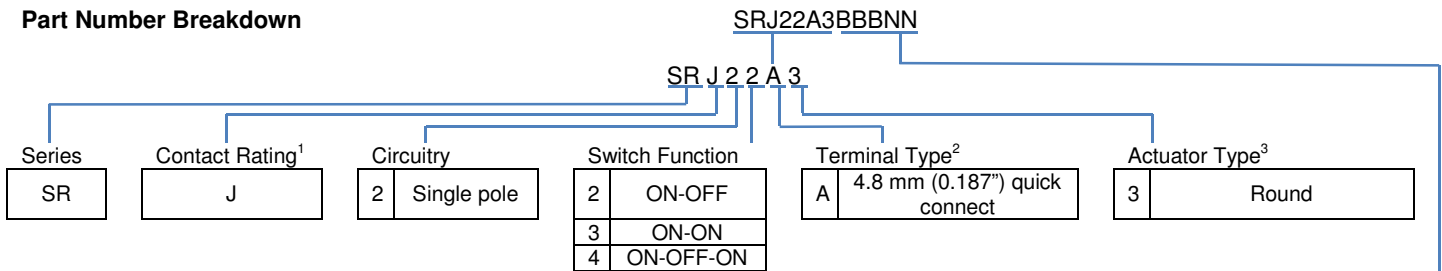
- Self-locking tabs
- Minimum 50,000 operations mechanical life
- RoHS compliant

Standard Parts¹

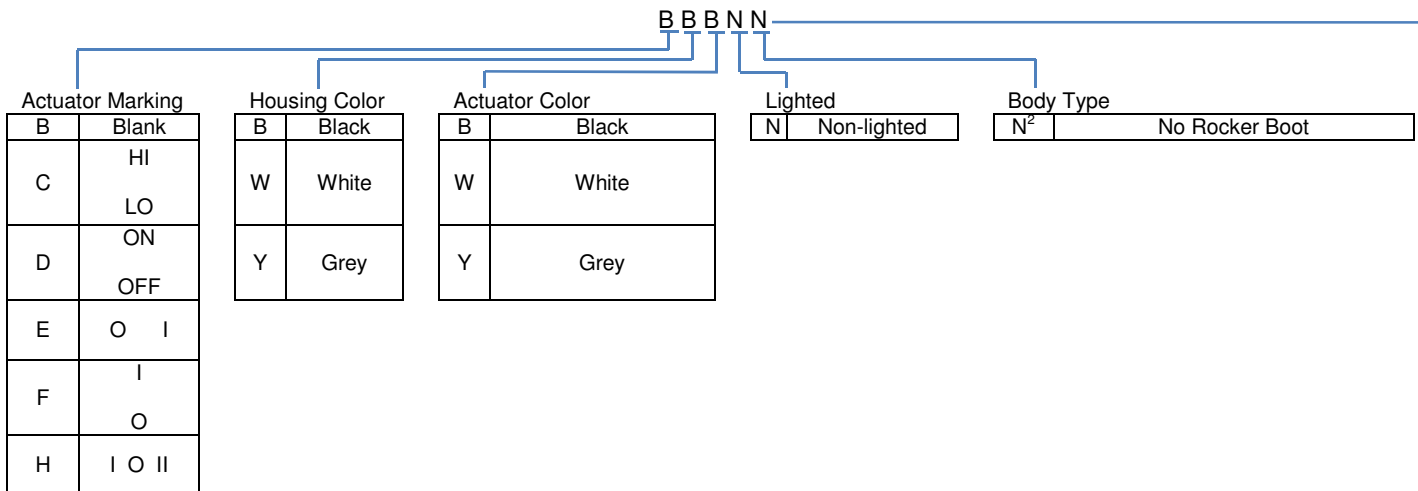
North America and Europe			
SRJ22A3BBBNN	SRJ23A3BBBNN	SRJ24A3BBBNN	SRJ24A3HBBNN

¹The part number configuration matrix below provides details to the part numbers above. For configurable part numbers that are not listed above, contact the factory or your distributor.

Part Number Breakdown



¹See Electrical Specifications section



²A splash-proof boot can be ordered separately as part number 00150751

Electrical Specifications

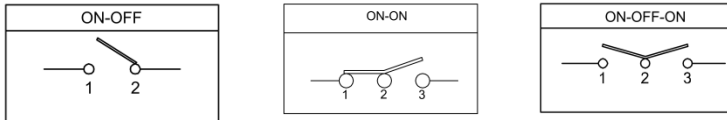
Inrush Rating – 2 Position		48 A
Inrush Rating – 3 Position		24 A
Dielectric Strength		1000 VAC for 1 minute
Insulation Resistance		100 M Ω min at 500 VDC
Initial Contact Resistance		0.020 Ω max
Switch Function	<u>EN61058-1 Rating</u>	<u>UL General Purpose Rating</u>
All	N/A	20 A 125 VAC / 12 A 250 VAC
Electrical Life at Rated Load	<u>VDE</u>	<u>UL</u>
Minimum Operations	N/A	6,000

UL File No: E23301

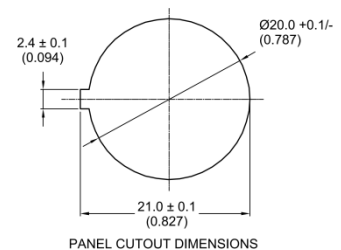
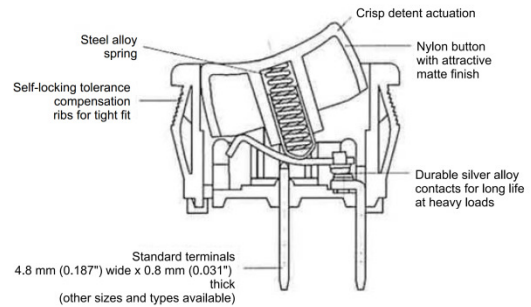
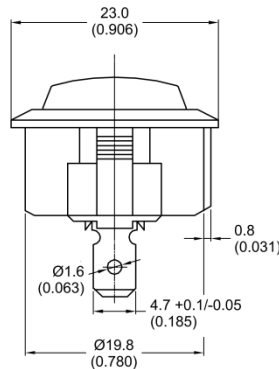
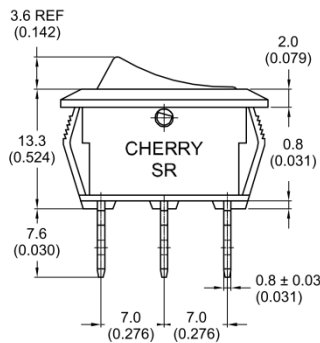
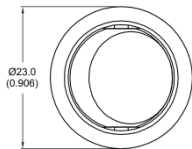
Material and Environmental Specifications

Actuator		Nylon 66 94V-2
Base		Nylon 66 94V-2
Spring		Steel Wire
Contacts		Silver Alloy
Movable Arm		Silver-Plated Copper Alloy
Terminals		Tin-Plated Copper Alloy
Operating Temperature Range		-20 °C to +65 °C (-4 °F to +149 °F)

Circuitry and Switch Functions



Dimensions mm (inches)



NOTE: TOLERANCES ± 0.3 (0.012) UNLESS OTHERWISE SPECIFIED