

# Sealed Rocker Switch



## Single Pole KR Series

### Features

- Snap-in mounting
- RoHS compliant
- 100,000 cycles mechanical life
- IP65
- Lighted and non-lighted versions available

### Standard Parts<sup>1</sup>

#### North America

KRE2ALA2GBB      KRE2ALA2RBB

#### North America and Europe

KRE2ANA1BBD      KRE2BNA1BBB      KRE2DNA1BBB

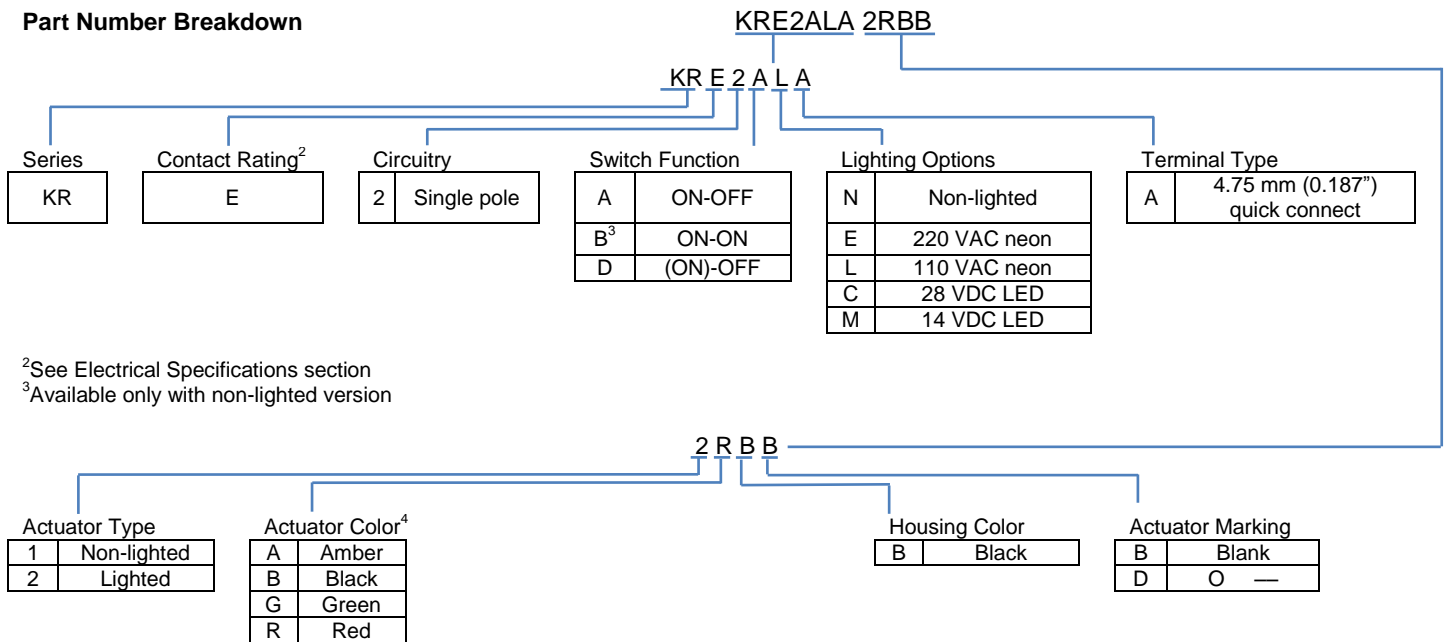
#### Europe

KRE2AEA2GBB      KRE2AEA2RBB

<sup>1</sup>The part number configuration matrix below provides details to the part numbers above.

For configurable part numbers that are not listed above, not listed in your region, or for custom part numbers, contact the factory or your distributor.

### Part Number Breakdown



<sup>2</sup>See Electrical Specifications section

<sup>3</sup>Available only with non-lighted version

<sup>4</sup>Black actuator is only available for non-lighted; others only for lighted.



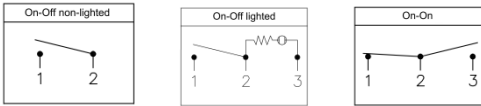
## Electrical Specifications

|                                |   |                                  |
|--------------------------------|---|----------------------------------|
| Dielectric Strength            | 1500 VAC for 1 minute                     |                                  |
| Insulation Resistance          | 100 MΩ min at 500 VDC                     |                                  |
| Initial Contact Resistance     | 0.050 Ω max                               |                                  |
| Electrical Ratings – UL1054:   |   |                                  |
| VAC:                           | 16 A 125 VAC 1/3 HP / 10 A 250 VAC 1/2 HP | VDC:<br>16 A 14 VDC / 6 A 28 VDC |
| Electrical Life at Rated Load: | UL:<br>6,000                              |                                  |
| Minimum Operations             | 6,000                                     |                                  |
| UL File No:                    | E23301                                    |                                  |

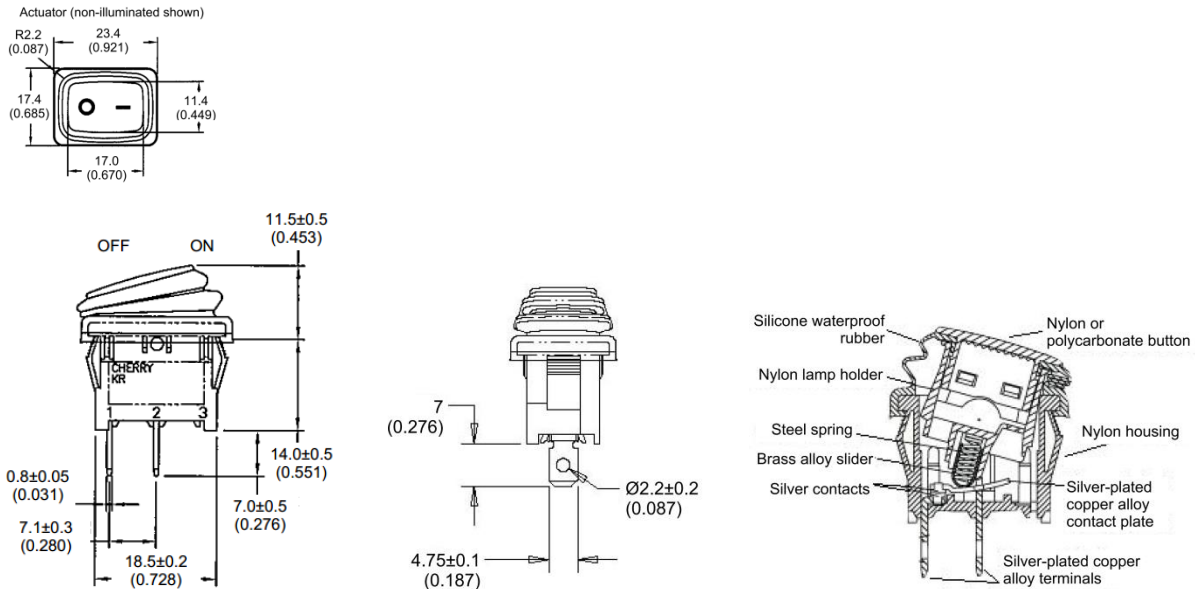
## Material and Environmental Specifications

|                             |                                      |
|-----------------------------|--------------------------------------|
| Actuator, non-lighted       | Nylon 66 94 V-2                      |
| Actuator, lighted           | Polycarbonate                        |
| Housing                     | Nylon 66 94 V-2                      |
| Spring                      | Steel Wire                           |
| Contacts                    | Silver Alloy                         |
| Movable Arm                 | Silver                               |
| Terminals                   | Silver-Plated Copper Alloy           |
| Rubber Boot                 | Silicone                             |
| Operating Temperature Range | -25 °C to +85 °C (-13 °F to +185 °F) |
| Ingress Protection          | IP65                                 |

**Circuitry and Switch Functions** – (ON)-OFF has same connections as ON-OFF; spring return on switch



## Dimensions mm (inches)



Recommended Panel Cut-Out Dimensions

| Panel thickness               | Dimension Y            | Dimension X          |
|-------------------------------|------------------------|----------------------|
| 0.75 to 1.50 (0.030 to 0.059) | 19.4-0.1 (0.764+0.004) | 13+0.1 (0.512+0.004) |
| 1.50 to 2.50 (0.049 to 0.098) | 19.8-0.1 (0.780+0.004) |                      |

