



ZF Speed Sensor GS82-AA01 for E-Bike application



Characteristics

- Hall based non-contact and solid-state sensor
- Virtually unlimited life, no wear and tear from friction
- Immune to vibration, shock, dirt, dust or water (IP67) for an improved functional safety especially for Pedelecs and S-Pedelecs
- Available standard product. Flexibility in terms of cable length and connector assemblies
- High resolution in combination with speed and brake disk especially for slow speeds (e.g. hill starts)
- Hall sensor with speed disk for improved manipulation resistance
- Best suitable also for ABS-Systems

Technical Specifications

Mechanical characteristics

Air gap	0,4 - 2,2mm (dependent on target wheel) (Air gap tested with ZF target wheel)
---------	--

Electrical characteristics

Supply voltage	4.5 – 20 VDC
----------------	--------------

Signal output I_{low}	7 ^{+1,4/-1,1} mA
-------------------------	---------------------------

Signal output I_{high}	14 ^{+2,8/-2,2} mA
--------------------------	----------------------------

Operating frequency	1 – 2,5kHz
---------------------	------------

Operating Conditions

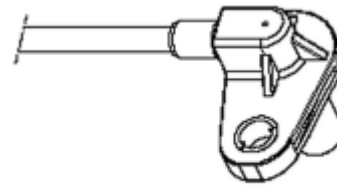
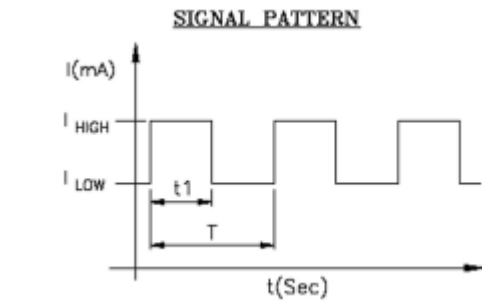
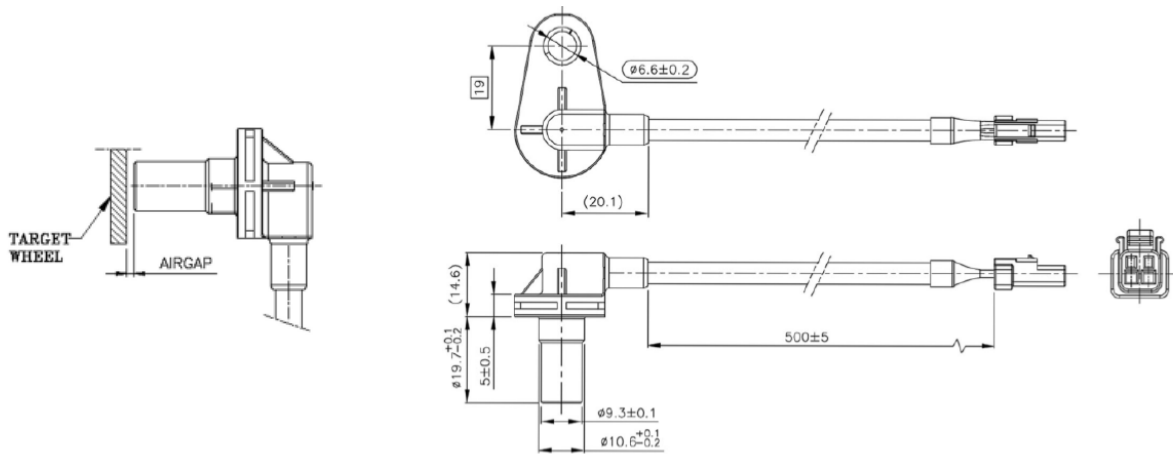
Operating temperature	-20°C – 100°C
-----------------------	---------------

Immersion protection	IP67
----------------------	------

Part Number	GS82-AA01
-------------	-----------



Dimensions in mm



ISOMETRIC VIEW