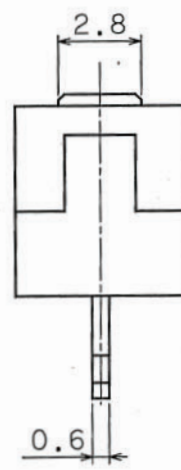
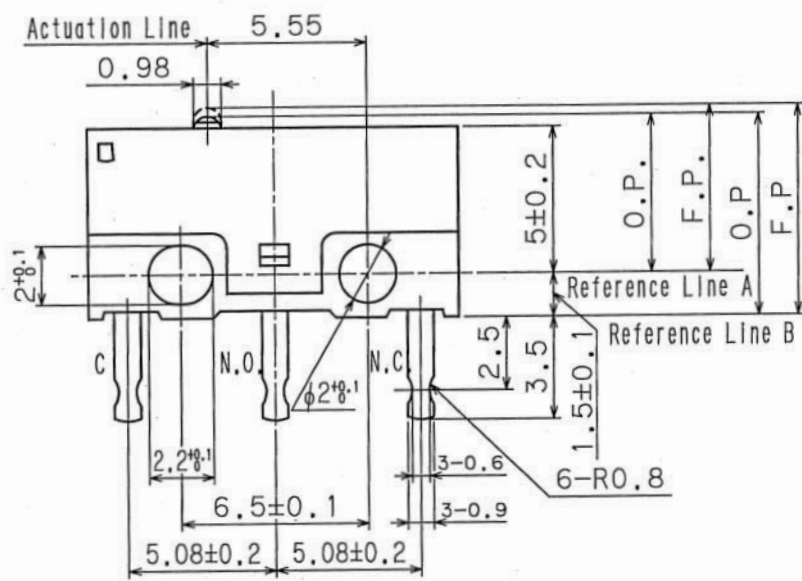
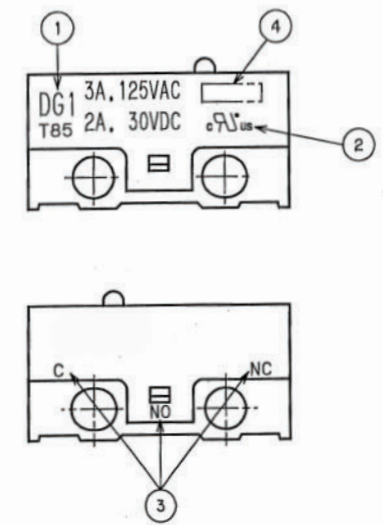


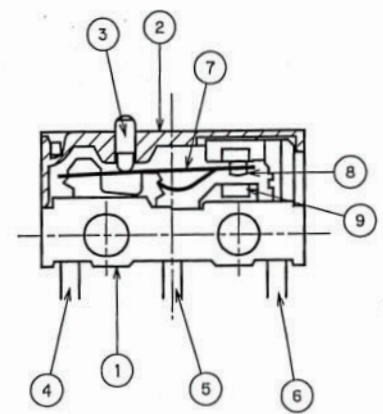
MARKING

NO	MARKS
1	RATINGS
2	UL Recognized Canadian National Recognized by UL
3	CIRCUITRY
4	LOT No. REF:01 6 A Z 1 week '06 year A:MON,~WED. B:THU,~SAT.



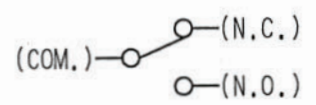
CONSTRUCTION

NO	NAME	MATERIAL	Qty
1	BASE UNIT	PPS COLOR:BLACK UL 94V-0	1
2	COVER	PBTP COLOR:BLACK UL 94V-0	1
3	BUTTON	PBTP COLOR:GRAY UL 94V-0	1
4	BRACKET(COM)	BRASS(SILVER PLATED)	1
5	BRACKET(N.O.)	BRASS(SILVER PLATED)	1
6	BRACKET(N.C.)	BRASS(SILVER PLATED)	1
7	BLADE	BERYLLIUM COPPER	1
8	MOVABLE CONTACTS	SILVER ALLOY	1
9	STATIONARY CONTACTS	SILVER ALLOY	2



Note.1. Tolerance; unless otherwise specified ±0.4 mm

CIRCUITRY



				DWN	CKD	APP	REMARKS
				H. Mizuno	M. Kawanishi	M. Abe	MANAGEMENT CODE: -C
				26. Jan. '06	10. Feb. '06	10. Feb. '06	
				SCALE	UNITS	PROJ.	
				NON	mm	3RD	
ECN-65867	26. Jan. '06						
EDITION 1 FIXED	26. Jan. '06						
REVISION	DATE			REVISION	DATE		
Group	DG	Title	Micro Switch	Part No.	DG13-B1AA	DWG No.	305757 1/1
							DIVISION DES1 A3

