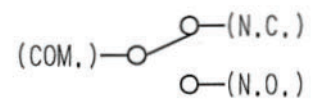


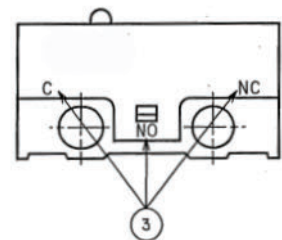
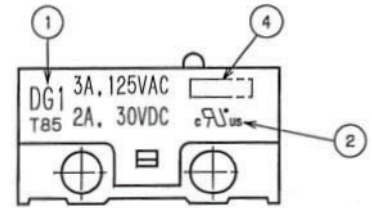
### CIRCUITRY



Note.1. Tolerance; unless otherwise specified ±0.4 mm

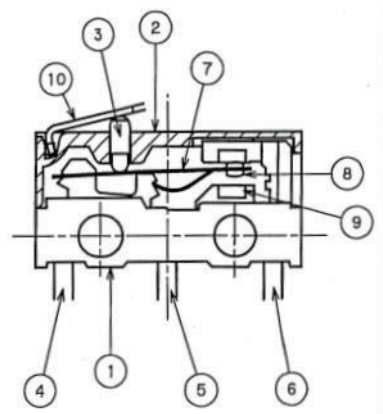
### MARKING

NO	MARKS
1	RATINGS
2	UL Recognized Canadian National Recognized by UL
3	CIRCUITRY
4	LOT No. REF:01 6 A Z 1 week '06 year A:MON.~WED. B:THU.~SAT. Location Z:China T:Japan



### CONSTRUCTION

NO	NAME	MATERIAL	Qty
1	BASE UNIT	PPS COLOR:BLACK UL 94V-0	1
2	COVER	PBTP COLOR:BLACK UL 94V-0	1
3	BUTTON	PBTP COLOR:GRAY UL 94V-0	1
4	BRACKET(COM)	BRASS(SILVER PLATED)	1
5	BRACKET(N.O.)	BRASS(SILVER PLATED)	1
6	BRACKET(N.C.)	BRASS(SILVER PLATED)	1
7	BLADE	BERYLLIUM COPPER	1
8	MOVABLE CONTACTS	SILVER ALLOY	1
9	STATIONARY CONTACTS	SILVER ALLOY	2
10	ROLLER ACTUATOR	ROLLER:POM UL 94HB ACTUATOR:STAINLESS	1



REVISION	DATE	REVISION	DATE	DWN	CKD	APP	REMARKS
ECN-65867	25, Jan, '06			H. Mizuno	K. Kurokawa	M. Abe	MANAGEMENT CODE: -C
EDITION 1 FIXED	25, Jan, '06			25, Jan, '06	10, Feb, '06	10, Feb, '06	
REVISION	DATE	REVISION	DATE	SCALE	UNITS	PROJ.	
				NON	mm	3RD	
Group	DG	Title	Part No.	DWG No.			DIVISION DES1 A3
		Micro Switch	DG13-B1RA				305763 1/1



ZF Friedrichshafen AG  
Electronic Systems  
Cherrystrasse  
D-91275 Auerbach/Opf.