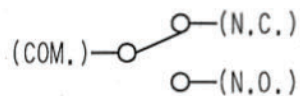


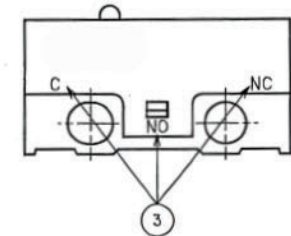
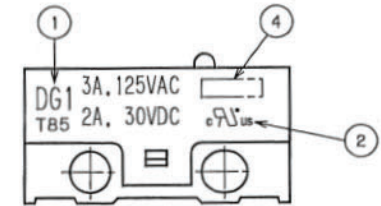
### CIRCUITRY



Note.1. Tolerance; unless otherwise specified  $\pm 0.4$  mm

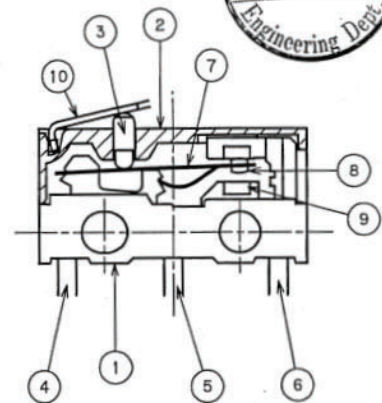
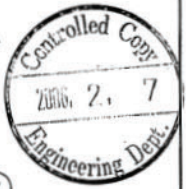
### MARKING

NO	MARKS
1	RATINGS
2	UL Recognized Canadian National Recognized by UL
3	CIRCUITRY
4	LOT No. REF:01 6 A Z 1 week '06 year A:MON,~WED. B:THU,~SAT.

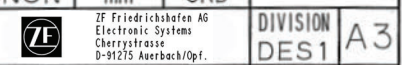


### CONSTRUCTION

NO	NAME	MATERIAL	Qty
1	BASE UNIT	PPS COLOR:BLACK UL 94V-0	1
2	COVER	PBTP COLOR:BLACK UL 94V-0	1
3	BUTTON	PBTP COLOR:GRAY UL 94V-0	1
4	BRACKET(COM)	BRASS(SILVER PLATED)	1
5	BRACKET(N.O.)	BRASS(SILVER PLATED)	1
6	BRACKET(N.C.)	BRASS(SILVER PLATED)	1
7	BLADE	BERYLLIUM COPPER	1
8	MOVABLE CONTACTS	SILVER ALLOY	1
9	STATIONARY CONTACTS	SILVER ALLOY	2
10	ACTUATOR	STAINLESS	1



REVISION	DATE	REVISION	DATE	DWN	CKD	APP	REMARKS
▲		▲					
▲		▲		H.Mizuno	M.Abe	M.Abe	MANAGEMENT CODE: -C
▲		▲		06.Feb.'06	06.Feb.'06	06.Feb.'06	
▲		▲		SCALE	UNITS	PROJ.	
▲	ECN-65892	▲	06.Feb.'06	NON	mm	3RD	
▲	EDITION 1 FIXED	▲	06.Feb.'06				
	REVISION		DATE				
	REVISION		DATE				
Group	DG	Title	Micro Switch	Part No.	DG13-B3LA	DWG No.	305769 1/1



DIVISION DES1 A3