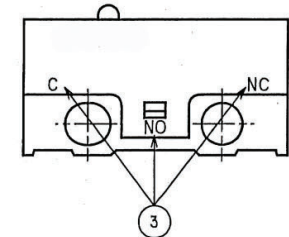
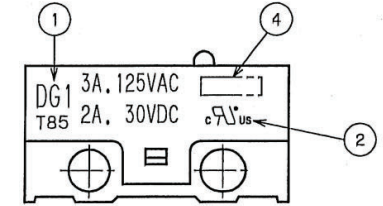


### CIRCUITRY

Note.1. Tolerance; unless otherwise specified  $\pm 0.4$  mm

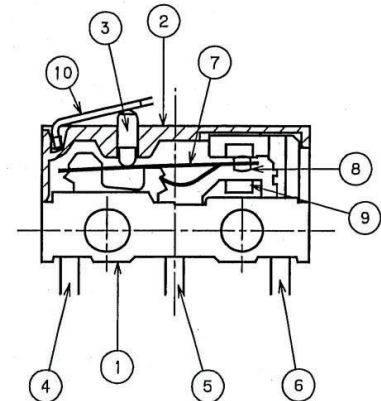
### MARKING

NO	MARKS
1	RATINGS
2	UL Recognized Canadian National Recognized by UL
3	CIRCUITRY
4	LOT No. REF: 01 6 A Z 1 week '06 year A: MON.~WED. B: THU.~SAT. Location Z: China T: Japan

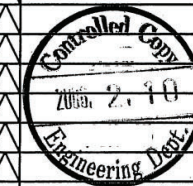


### CONSTRUCTION

NO	NAME	MATERIAL	Qty
1	BASE UNIT	PPS COLOR: BLACK UL 94V-0	1
2	COVER	PBTP COLOR: BLACK UL 94V-0	1
3	BUTTON	PBTP COLOR: GRAY UL 94V-0	1
4	BRACKET (COM)	BRASS (SILVER PLATED)	1
5	BRACKET (N.O.)	BRASS (SILVER PLATED)	1
6	BRACKET (N.C.)	BRASS (SILVER PLATED)	1
7	BLADE	BERYLLIUM COPPER	1
8	MOVABLE CONTACTS	SILVER ALLOY	1
9	STATIONARY CONTACTS	SILVER ALLOY	2
10	ROLLER ACTUATOR	ROLLER: POM UL 94HB ACTUATOR: STAINLESS	1



REVISION	DATE	BY	CHKD	APP	REMARKS
△			DWN	CKD	APP
△			H. Mizuno	K. Nishikawa	M. Abe
△			27. Jan. '06	10. Feb. '06	10. Feb. '06
△			SCALE	UNITS	PROJ.
△			NON	mm	3RD
△	ECN-65867	27. Jan. '06			
△	EDITION 1 FIXED	27. Jan. '06			
△	REVISE	DATE	REVISE	DATE	
Group	DG	Title	Part No.	DWG No.	DIVISION
		Micro Switch	DG13-B3RA	305771	A3



ZF Friedrichshafen AG  
Electronic Systems  
Cherrystrasse  
D-91275 Auerbach/Opf.

DIVISION  
DES1