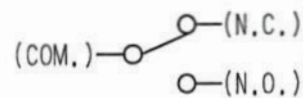


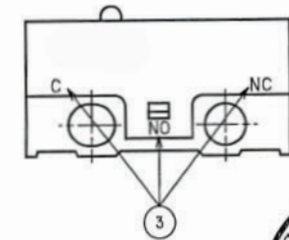
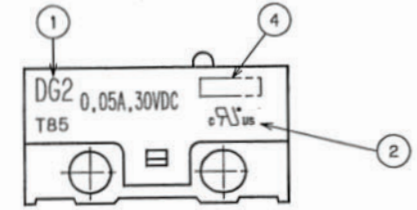
CIRCUITRY



Note.1. Tolerance; unless otherwise specified ±0.4 mm

MARKING

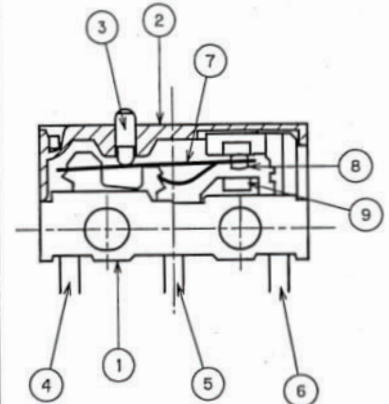
NO	MARKS
1	RATINGS
2	UL Recognized Canadian National Recognized by UL
3	CIRCUITRY
4	LOT No. REF:01 6 A Z 1 week '06 year A:MON.~WED. B:THU.~SAT. Location Z:China T:Japan



CONSTRUCTION



NO	NAME	MATERIAL	Qty
1	BASE UNIT	PPS COLOR:BLACK UL 94V-0	1
2	COVER	PBTP COLOR:BLACK UL 94V-0	1
3	BUTTON	PBTP COLOR:GRAY UL 94V-0	1
4	BRACKET(COM)	BRASS(SILVER PLATED)	1
5	BRACKET(N.O.)	BRASS(SILVER PLATED)	1
6	BRACKET(N.C.)	BRASS(SILVER PLATED)	1
7	BLADE	BERYLLIUM COPPER	1
8	MOVABLE CONTACTS	SILVER ALLOY(GOLD FLASH)	1
9	STATIONARY CONTACTS	SILVER ALLOY(GOLD FLASH)	2



REVISION	DATE	REVISION	DATE	DWN	CKD	APP	REMARKS
							MANAGEMENT CODE: -C
				H. Mizuno	M. Abe	M. Abe	
				27. Jan. '06	06. Feb. '06	06. Feb. '06	
				SCALE	UNITS	PROJ.	
				NON	mm	3RD	
ECN-65892	27. Jan. '06						
EDITION 1 FIXED	27. Jan. '06						
REVISION	DATE	REVISION	DATE				DIVISION
				ZF Friedrichshafen AG Electronic Systems Cherrystrasse D-91275 Aserbach/Opf.			DES1
Group	DG	Title	Micro Switch	Part No.	DG23-B1AA	DWG No.	305776 1/1