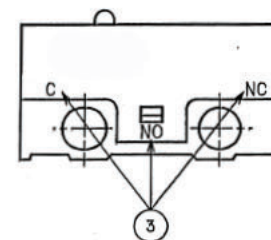
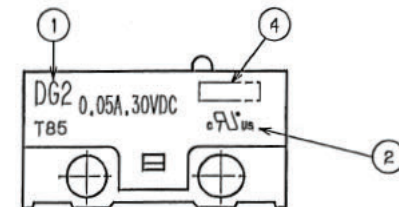


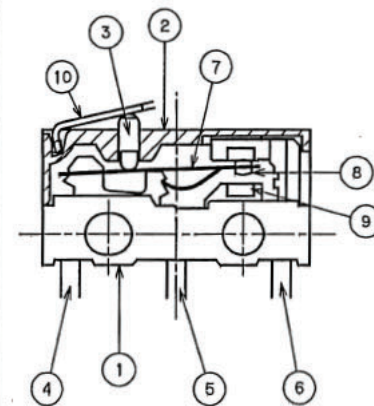
MARKING

NO	MARKS
1	RATINGS
2	UL Recognized Canadian National Recognized by UL
3	CIRCUITRY
4	LOT No. REF:01 6 A Z 1 week '06 year A:MON,~WED, B:THU,~SAT. Location Z:China T:Japan

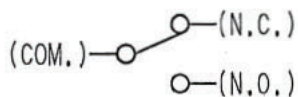


CONSTRUCTION

NO	NAME	MATERIAL	Qty
1	BASE UNIT	PPS COLOR:BLACK UL 94V-0	1
2	COVER	PBTP COLOR:BLACK UL 94V-0	1
3	BUTTON	PBTP COLOR:GRAY UL 94V-0	1
4	BRACKET(COM)	BRASS(SILVER PLATED)	1
5	BRACKET(N.O.)	BRASS(SILVER PLATED)	1
6	BRACKET(N.C.)	BRASS(SILVER PLATED)	1
7	BLADE	BERYLLIUM COPPER	1
8	MOVABLE CONTACTS	SILVER ALLOY(GOLD FLASH)	1
9	STATIONARY CONTACTS	SILVER ALLOY(GOLD FLASH)	2
10	ACTUATOR	STAINLESS	1

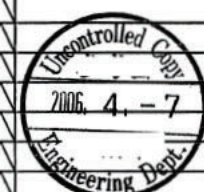


CIRCUITRY



Note.1. Tolerance; unless otherwise specified ± 0.4 mm

REVISION	DATE	REVISION	DATE	DWN	CKD	APP	REMARKS
▲		▲					MANAGEMENT CODE: -C
▲		▲		H. Mizuno	X. Kurokawa	M. Abe	
▲		▲		30. Jan. '06	09. Feb. '06	13. Feb. '06	
▲		▲		SCALE NON	UNITS mm	PROJ. 3RD	
▲	ECN-65868	▲	30. Jan. '06				
▲	EDITION 1 FIXED	▲	30. Jan. '06				
▲	REVISE	▲	DATE				
Group	DG	Title	Micro Switch	Part No.	DG23-B1LA	DWG No.	305777 1/1



ZF Friedrichshafen AG
Electronic Systems
Cherrystrasse
D-91275 Auerbach/Opf.

DIVISION DES1 A3