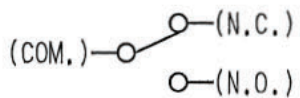


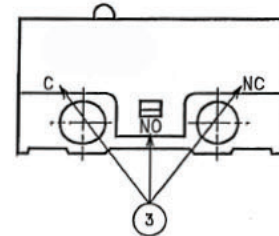
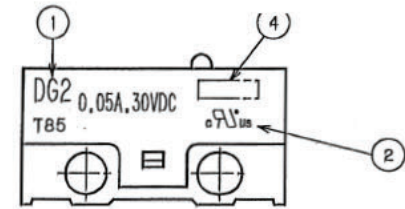
CIRCUITRY



Note.1. Tolerance; unless otherwise specified ±0.4 mm

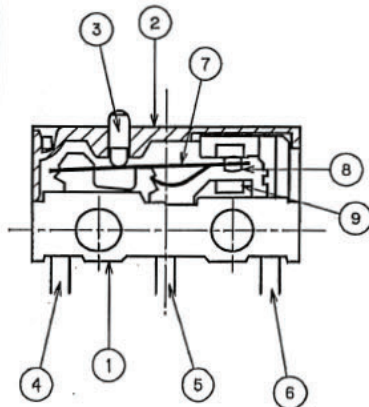
MARKING

NO	MARKS
1	RATINGS
2	UL Recognized Canadian National Recognized by UL
3	CIRCUITRY
4	LOT No. REF:01 6 A Z 1 week '06 year A: MON,~WED. B: THU,~SAT. Location Z:China T:Japan

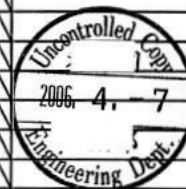


CONSTRUCTION

NO	NAME	MATERIAL	Qty
1	BASE UNIT	PPS COLOR:BLACK UL 94V-0	1
2	COVER	PBTP COLOR:BLACK UL 94V-0	1
3	BUTTON	PBTP COLOR:GRAY UL 94V-0	1
4	BRACKET(COM)	BRASS(SILVER PLATED)	1
5	BRACKET(N.O.)	BRASS(SILVER PLATED)	1
6	BRACKET(N.C.)	BRASS(SILVER PLATED)	1
7	BLADE	BERYLLIUM COPPER	1
8	MOVABLE CONTACTS	SILVER ALLOY(GOLD FLASH)	1
9	STATIONARY CONTACTS	SILVER ALLOY(GOLD FLASH)	2



REVISION	DATE	BY	CHKD	APP	REMARKS
			DWN	CKD	APP
			H. Mizuno	K. Nambu	M. Abe
			30. Jan. '06	09. Feb. '06	13. Feb. '06
			SCALE	UNITS	PROJ.
			NON	mm	3RD
ECN-65868	30. Jan. '06				
EDITION 1 FIXED	30. Jan. '06				
REVISE	DATE	REVISE	DATE		
Group	DG	Title	Micro Switch	Part No.	DG23-B2AA
				DWG No.	305781
				DIVISION	A3
				DES1	1/1



ZF Friedrichshafen AG
Electronic Systems
Cherrystrasse
D-91275 Auerbach/Opf.