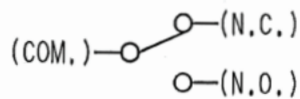


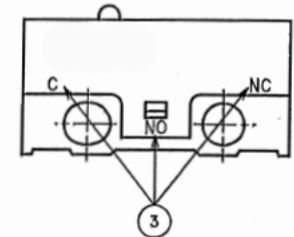
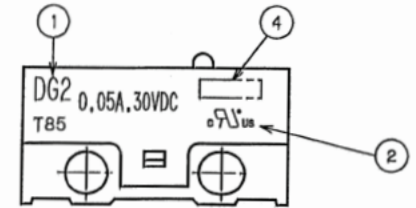
CIRCUITRY



Note.1. Tolerance; unless otherwise specified ± 0.4 mm

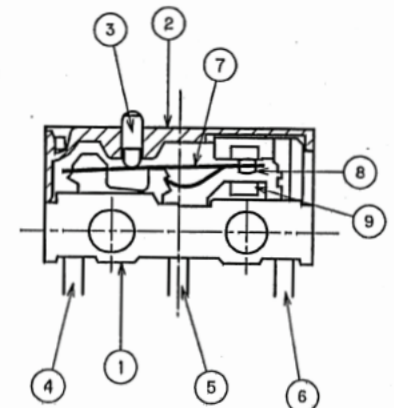
MARKING

NO	MARKS
1	RATINGS
2	UL Recognized Canadian National Recognized by UL
3	CIRCUITRY
4	LOT No. REF:01 6 A Z 1 week <input type="checkbox"/> Location '06 year <input type="checkbox"/> Z:China A:MON,~WED. T:Japan B:THU,~SAT.



CONSTRUCTION

NO	NAME	MATERIAL	Qty
1	BASE UNIT	PPS COLOR:BLACK UL 94V-0	1
2	COVER	PBTP COLOR:BLACK UL 94V-0	1
3	BUTTON	PBTP COLOR:GRAY UL 94V-0	1
4	BRACKET(COM)	BRASS(SILVER PLATED)	1
5	BRACKET(N.O.)	BRASS(SILVER PLATED)	1
6	BRACKET(N.C.)	BRASS(SILVER PLATED)	1
7	BLADE	BERYLLIUM COPPER	1
8	MOVABLE CONTACTS	SILVER ALLOY(GOLD FLASHED)	1
9	STATIONARY CONTACTS	SILVER ALLOY(GOLD FLASHED)	2



REVISION	DATE	REVISION	DATE	DWN	CKD	APP	REMARKS
				H.Mizuno	M.Abe	M.Abe	MANAGEMENT CODE: -C
				30.Jan.'06	07.Feb.06	13.Feb.06	
				SCALE NON	UNITS mm	PROJ. 3RD	
ECN-65868	30.Jan.'06						
EDITION 1 FIXED	30.Jan.'06						
REVISE	DATE	REVISE	DATE				DIVISION DES1
Group DG	Title Micro Switch	Part No. DG23-B3AA	DWG No. 305784				A3