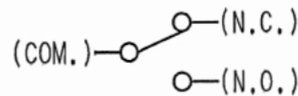


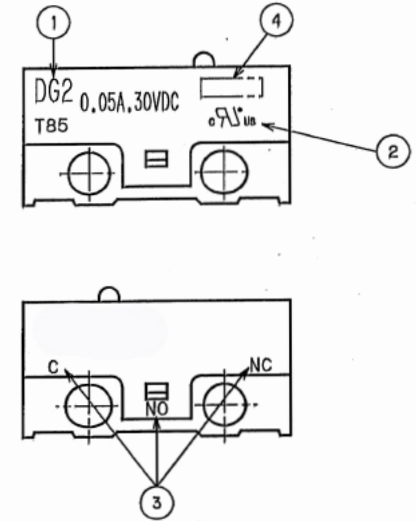
CIRCUITRY



Note.1. Tolerance; unless otherwise specified ± 0.4 mm

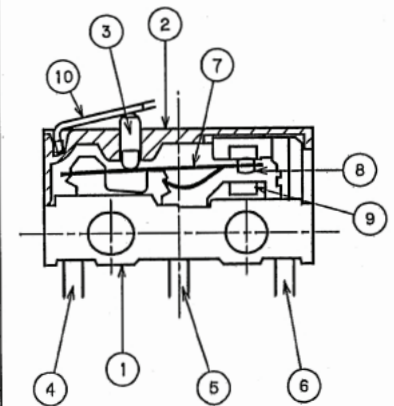
MARKING

NO	MARKS
1	RATINGS
2	UL Recognized Canadian National Recognized by UL
3	CIRCUITRY
4	LOT No. REF: 01 6 A Z 1 week '06 year A: MON, ~WED. B: THU, ~SAT. Location Z: China T: Japan



CONSTRUCTION

NO	NAME	MATERIAL	Qty
1	BASE UNIT	PPS COLOR: BLACK UL 94V-0	1
2	COVER	PBTP COLOR: BLACK UL 94V-0	1
3	BUTTON	PBTP COLOR: GRAY UL 94V-0	1
4	BRACKET (COM)	BRASS (SILVER PLATED)	1
5	BRACKET (N.O.)	BRASS (SILVER PLATED)	1
6	BRACKET (N.C.)	BRASS (SILVER PLATED)	1
7	BLADE	BERYLLIUM COPPER	1
8	MOVABLE CONTACTS	SILVER ALLOY (GOLD FLASHED)	1
9	STATIONARY CONTACTS	SILVER ALLOY (GOLD FLASHED)	2
10	ACTUATOR	STAINLESS	1



				DWN	CKD	APP	REMARKS
				H. Mizuno	K. Nishida	M. Abe	MANAGEMENT CODE: -C
				30. Jan. '06	07. Feb. '06	13. Feb. '06	
				SCALE	UNITS	PROJ.	
				NON	mm	3RD	
ECN-65868	30. Jan. '06						DIVISION
EDITION 1 FIXED	30. Jan. '06						DES1
REVISE	DATE			REVISION	DATE		A3
Group	DG	Title	Micro Switch	Part No.	DG23-B3LA	DWG No.	305785 1/1



ZF Friedrichshafen AG
Electronic Systems
Cherrystrasse
D-91275 Auerbach/Opf.