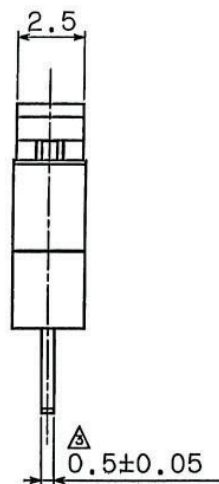
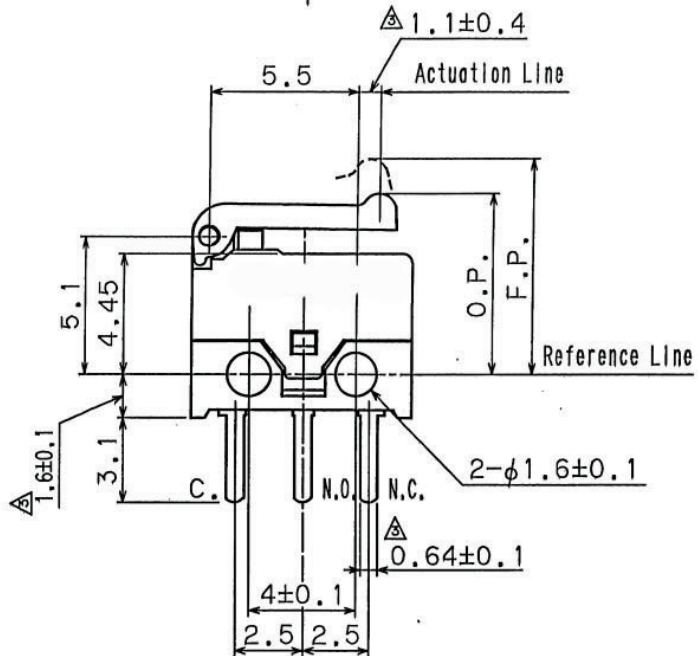
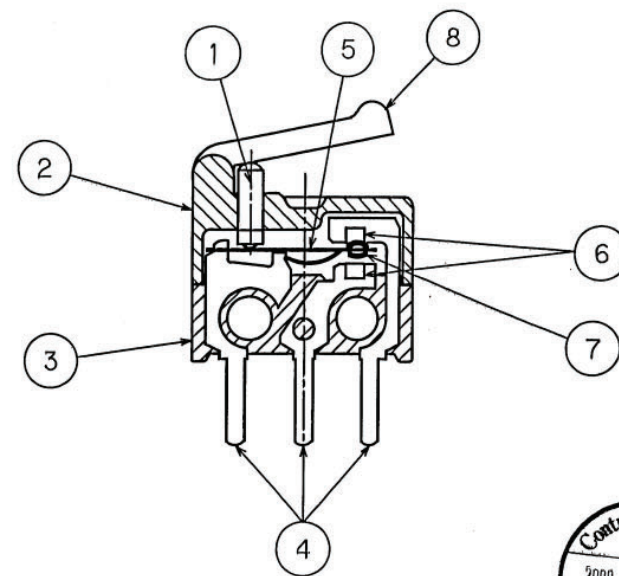


LOT No. REF: 01 5 A
 A: MON. ~ WED.
 B: THU. ~ SAT.
 '95 year
 1 week



| NO | NAME | MATERIAL | Qty |
|-------|-----------------------|---------------------------------|-----|
| 1 | BUTTON | PBTP UL94V-0 | 1 |
| 2 | COVER | PBTP UL94V-0 | 1 |
| △ △ 3 | BASE UNIT | PPHS UL94V-0 COLOR: LIGHT BROWN | 1 |
| 4 | BRACKET (COM, NC, NO) | BRASS (SILVER PLATED) | 1 |
| 5 | BLADE | BERYLLIUM COPPER | 1 |
| 6 | STATIONARY CONTACTS | SILVER ALLOY (GOLD FLASHED) | 2 |
| 7 | MOVABLE CONTACTS | SILVER ALLOY (GOLD FLASHED) | 1 |
| △ 8 | ACTUATOR | PBTP UL94V-0 | 1 |

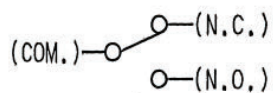


Note.1. Tolerance; unless otherwise specified ±0.2mm



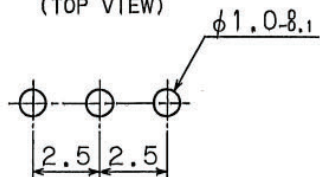
CONSTRUCTION

CIRCUITRY



△ P-C Board Layout

Tolerance; ±0.05 (TOP VIEW)



| REVISED | DATE | REVISED | DATE | DWN. | CKD. | APP. | REMARKS |
|---------|----------|-----------|------|------|------|------|---------|
| △ | ECN63518 | 04-06-'01 | | | | | |
| △ | ECN62498 | 11-18-'97 | | | | | |
| △ | ECN62321 | 8-5-'96 | | | | | |
| △ | ECN62159 | 9-11-'95 | | | | | |
| △ | ECN62136 | 8-17-'95 | | | | | |
| | FIXED | 8-17-'95 | | | | | |
| | | | | | | | |
| | | | | | | | |
| | | | | | | | |
| | | | | | | | |
| | | | | | | | |
| | | | | | | | |



ZF Friedrichshafen AG
 Electronic Systems
 Cherrystrasse
 D-91275 Auerbach/Opf.

DIVISION
 GEOO

| | | | | | |
|-------|------------------|----------|-----------|---------|--------|
| Title | Out-line drawing | Part No. | DH2C-C4PA | DWG No. | 302329 |
|-------|------------------|----------|-----------|---------|--------|