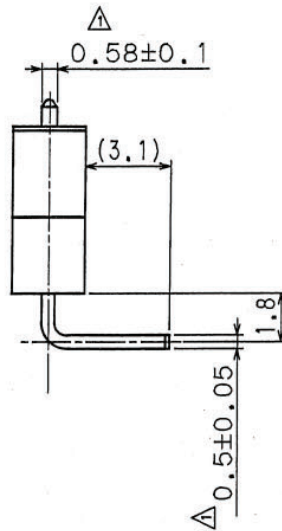
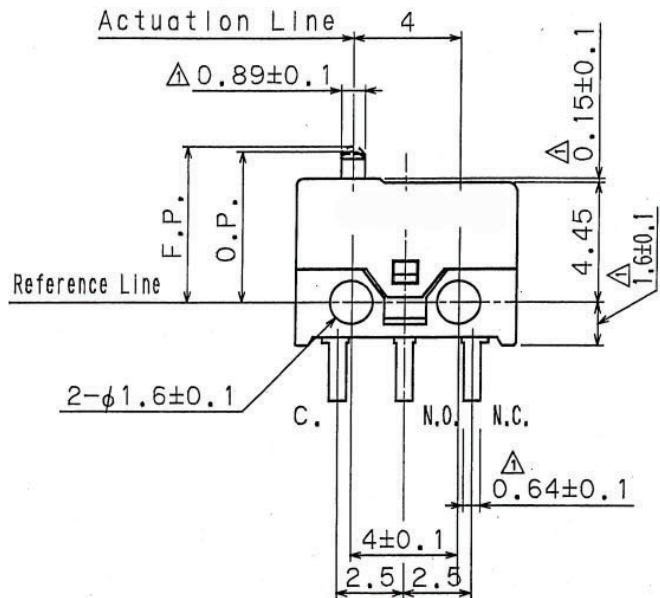
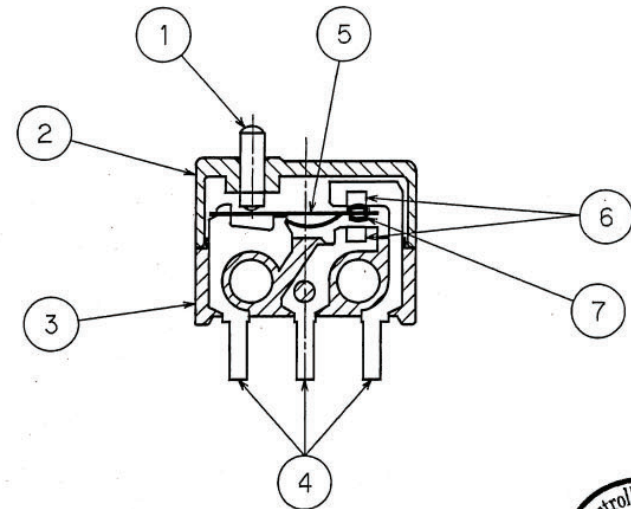


LOT No.
REF:01 6 A
A: MON.~WED.
B: THU.~SAT.
'96 year
1 week

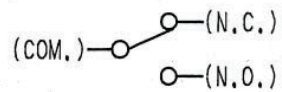


NO	NAME	MATERIAL	Qty
1	BUTTON	PBTP UL94V-0	1
2	COVER	PBTP UL94V-0	1
3	BASE UNIT	PPHS UL94V-0 COLOR:LIGHT BROWN	1
4	BRACKET (COM, NC, NO)	BRASS(SILVER PLATED)	1
5	BLADE	BERYLLIUM COPPER	1
6	STATIONARY CONTACTS	SILVER ALLOY(GOLD FLASHED)	2
7	MOVABLE CONTACTS	SILVER ALLOY(GOLD FLASHED)	1



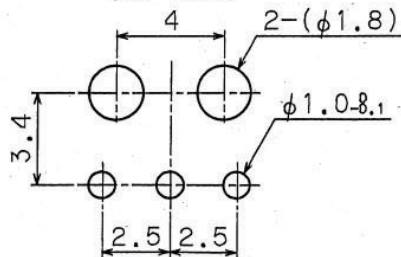
△ Note.1. Tolerance; unless otherwise specified ±0.2mm

CIRCUITRY



P-C Board Layout

Tolerance; ±0.05
(TOP VIEW)



CONSTRUCTION



REVISED	DATE	REVISED	DATE	DWN.	CKD.	APP.	REMARKS	
				H. Hageborn	Kluwe	M. OHKUBO		
2	ECN62498	7-22-'98		7-22-'98	7-23-'98	7-23-'98		
1	ECN62321	8-5-'96						
	FIXED	5-06-'96						
TITLE				PART NO.	DH2C-C5AA		DWG. NO.	303830



ZF Friedrichshafen AG
Electronic Systems
Oberrainstrasse
D-91275 Auerbach/Opf.