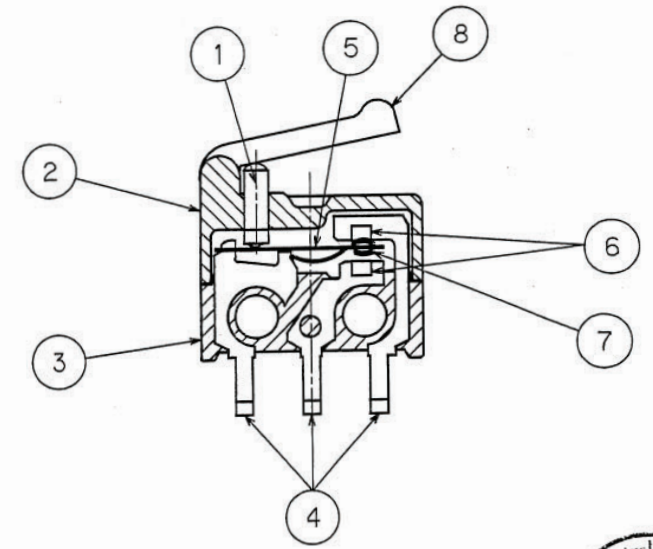
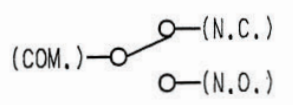


Note.1. Tolerance; unless otherwise specified ±0.2mm

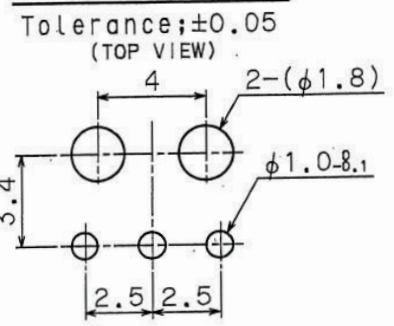
| NO | NAME | MATERIAL | Qty |
|----|-----------------------|---------------------------------|-----|
| 1 | BUTTON | PBTP UL94V-0 | 1 |
| 2 | COVER | PBTP UL94V-0 | 1 |
| 3 | BASE UNIT | PPHS UL94V-0 COLOR: LIGHT BROWN | 1 |
| 4 | BRACKET (COM, NC, NO) | BRASS (SILVER PLATED) | 1 |
| 5 | BLADE | BERYLLIUM COPPER | 1 |
| 6 | STATIONARY CONTACTS | SILVER ALLOY (GOLD FLASHED) | 2 |
| 7 | MOVABLE CONTACTS | SILVER ALLOY (GOLD FLASHED) | 1 |
| 8 | ACTUATOR | PBTP UL94V-0 | 1 |



CIRCUITRY



P-C Board Layout



CONSTRUCTION



| REVISED | DATE | REVISION | DATE | DWN. | CKD. | APP. | REMARKS |
|--------------|----------|----------|------|------------------|-------------|-----------|-----------------|
| ECN62498 | 7-22-'98 | | | H. | K. | M. | |
| ECN62321 | 8-5-'96 | | | Hagihara | K. Kuwabara | M. Ohkubo | |
| FIXED | 2-17-'96 | | | | | | |
| REVISED DATE | | | | SCALE | UNIT | PROJ. | |
| TITLE | | | | Out-line drawing | PART NO. | DH2C-C6PA | DWG. NO. 303751 |