

# Rocker Switch



## Single Pole SR Series – SRJ

### Features

- Self-locking tabs
- Minimum 50,000 operations mechanical life
- RoHS compliant

### Standard Parts<sup>1</sup>

North America and Europe

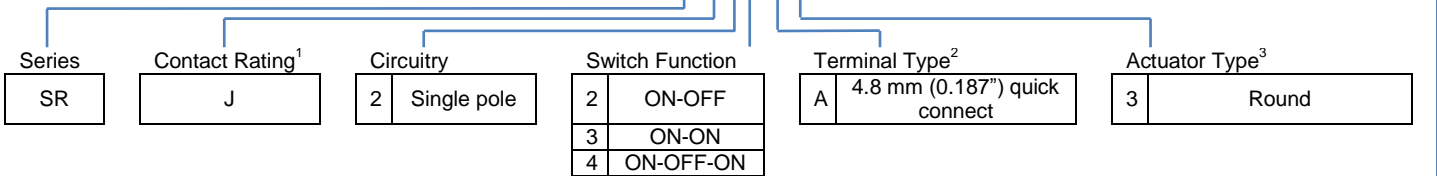
SRJ22A3BBBNN    SRJ23A3BBBNN    SRJ24A3BBBNN    SRJ24A3HBBNN

<sup>1</sup>The part number configuration matrix below provides details to the part numbers above. For configurable part numbers that are not listed above, contact the factory or your distributor.

### Part Number Breakdown

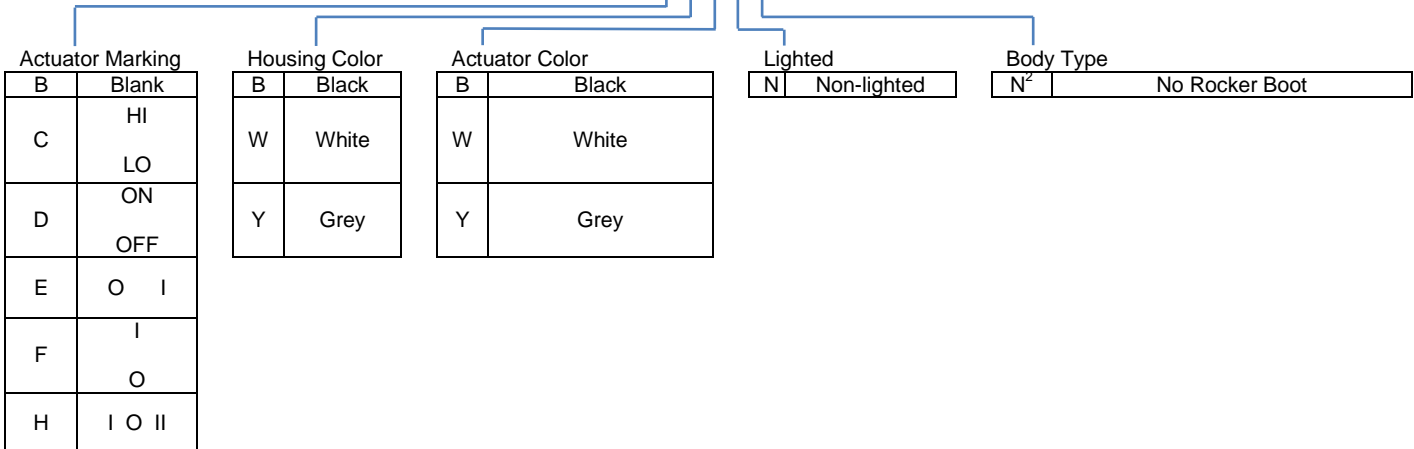
SRJ22A3BBBNN

SR J 2 2 A 3



<sup>1</sup>See Electrical Specifications section

B B B N N



<sup>2</sup>A splash-proof boot can be ordered separately as part number 00150751



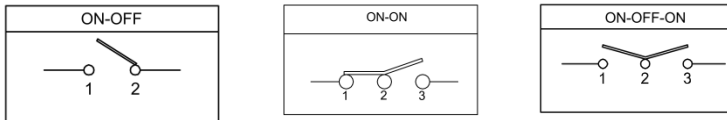
## Electrical Specifications

Inrush Rating – 2 Position	48 A	
Inrush Rating – 3 Position	24 A	
Dielectric Strength	1000 VAC for 1 minute	
Insulation Resistance	100 MΩ min at 500 VDC	
Initial Contact Resistance	0.020 Ω max	
Switch Function:	EN61058-1 Rating:	UL General Purpose Rating:
All	N/A	20 A 125 VAC / 12 A 250 VAC
Electrical Life at Rated Load:	VDE:	UL:
Minimum Operations	N/A	6,000
UL File No: E23301		

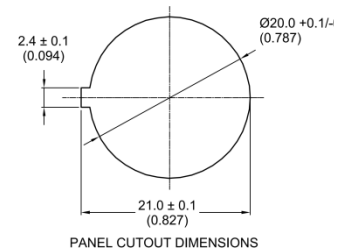
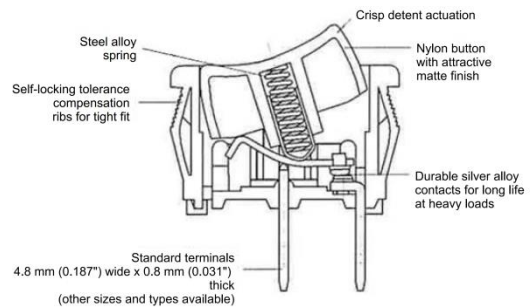
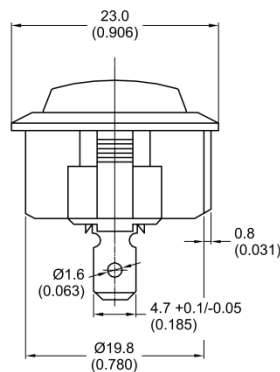
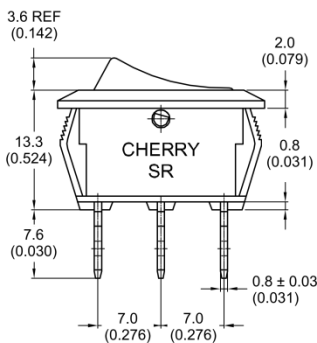
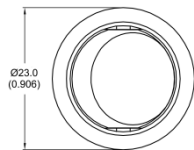
## Material and Environmental Specifications

Actuator	Nylon 66 94V-2	
Base	Nylon 66 94V-2	
Spring	Steel Wire	
Contacts	Silver Alloy	
Movable Arm	Silver-Plated Copper Alloy	
Terminals	Tin-Plated Copper Alloy	
Operating Temperature Range	-20 °C to +65 °C (-4 °F to +149 °F)	

## Circuitry and Switch Functions



## Dimensions mm (inches)



NOTE: TOLERANCES ± 0.3 (0.012) UNLESS OTHERWISE SPECIFIED