



SK sub-sub-miniature switch

Technical specifications

| | |
|---|--------------------------------|
| Contact configuration | S.P.D.T. |
| Switching voltage max. | 12 VDC |
| Switched current | 10 mA to 100 mA |
| Operating force | max. 200 cN |
| Total travel | ca. 2,0 mm |
| Mechanical life | min. 500.000 operations |
| Electrical life (max. load) | min. 100.000 operations |
| Ambient temperature | -40 °C to +85 °C |
| Materials | |
| Base | PPS |
| Cover | PBT + ASA |
| Actuator | POM |
| Auxiliary actuator | Stainless steel |
| Sealing gasket | Silicone |
| Terminals | CuSn6 gal. Ag |
| Leads | Cu, Isolation PVC |
| Degree of protection (switch interior) | IP6K5, IP6K7 with potted leads |

For detailed information and the layout of the details described above, please do not hesitate to ask for our technical specifications and drawing.

Features

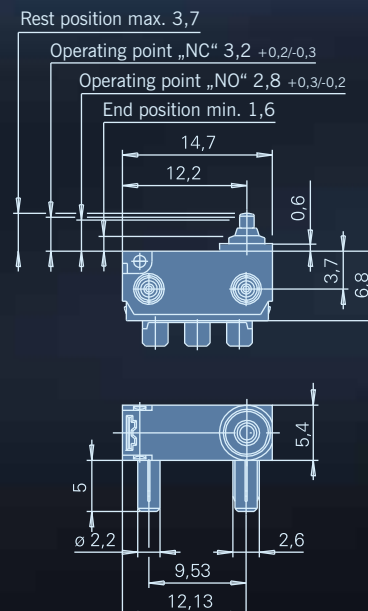
- Sealed switch up to protection IP65. IP67 on request
- Smallest dimensions
- Models available up to 85 °C operating temperature
- Actuation vertically or with auxiliary actuator
- High contact stability by double redundant contact system
- High operating life
- Many connection possibilities, also with leads available on request

PLEASE NOTE

CHERRY
will become
ZF in 2017.



Dimensions in mm



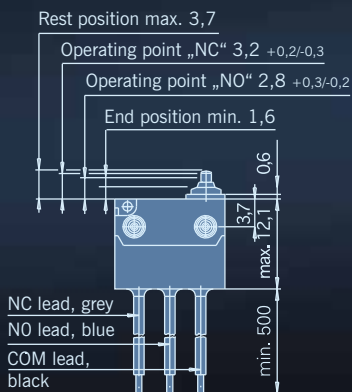


Terminals and location pins

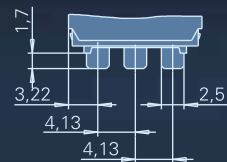
| Type of terminal | Code |
|---|------|
| Solder terminals 2,5x0,4 mm, straight, without pins | RN |
| Solder terminals 2,5x0,4 mm, straight, with RH pins | RR |
| Solder terminals 2,5x0,4 mm, straight, with LH pins | RL |
| PCB terminals 0,6x0,4 mm, straight, without pins | SN |
| PCB terminals 0,6x0,4 mm, straight, with RH pins | SR |
| PCB terminals 0,6x0,4 mm, straight, with LH pins | SL |
| PCB terminals 0,6x0,4 mm, RH-s. with RH pins | TR |
| PCB terminals 0,6x0,4 mm, LH-s. with LH pins | UL |
| 500 mm leads 0,35 mm ² to underside without pins | Z3 |
| 500 mm leads 0,35 mm ² to underside with pins | Z9 |
| 500 mm leads 0,35 mm ² to underside with pins | Z6 |

Terminals

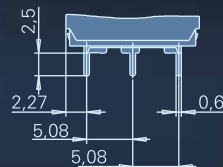
For SK sub-subminiature switch with leads (IP67-compliant)



Solder terminal
2,5x0,4 mm



PCB terminal
0,6x0,4 mm



PCB terminal 0,6x0,4 mm
RH-side with location pins



PCB terminal 0,6x0,4 mm
LH-side with location pins

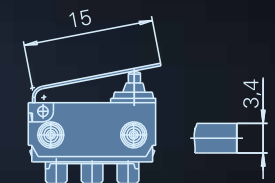


Side definition



Auxiliary actuator options

straight



simulated roller

