



## DJ sub-sub-miniature switch

### Technical specifications

<b>Contact configuration</b>	S.P.D.T.
<b>Contact gap</b>	< 3 mm
<b>Switching voltage max.</b>	12 VDC up to 60 V on request
<b>Switched current</b>	0,005 to 2 ADC
<b>Operating force max.</b>	120 cN
<b>Total travel</b>	ca. 2,0 mm
<b>Mechanical life</b>	min. 500.000 operations
<b>Electrical life (max. load)</b>	min. 100.000 operations
<b>Ambient temperature</b>	-40 to +85 °C
<b>Materials</b>	
<b>Base</b>	PBT / PES
<b>Cover</b>	PBT + ASA
<b>Actuator</b>	POM
<b>Sealing gasket</b>	SI (VMQ)
<b>Terminals</b>	CuZn (silver-plated)
<b>Contacts</b>	AuAg (Crosspoint)
<b>Degree of protection (switch interior)</b>	IP67

For detailed information and the layout of the details described above, please do not hesitate to ask for our technical specifications and drawing.

### Features

- Sealed switch up to protection IP67
- Suitable for actuation at angles of up to 40 °C depending on slide partner material, etc.
- Easy installation thanks to connector pins and fastening nut
- Smallest dimensions
- Models available for up to 85 °C operating temperature
- Nominal currents 5 mA to 2 A at 12 VDC
- High contact stability with AuAg crosspoint contacts
- Mechanical operating life min. 500.000 actuations
- Many connection possibilities

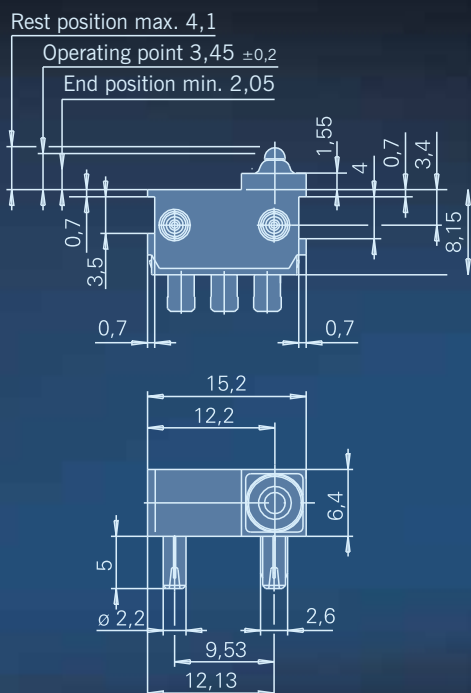
PLEASE NOTE

CHERRY  
will become  
ZF in 2017.



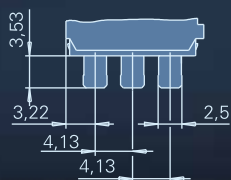


## Dimensions in mm

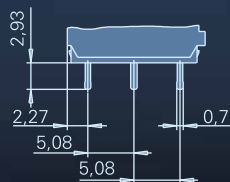


## Terminals

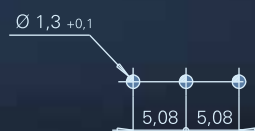
Solder terminal 2,5x0,5mm



PCB terminal 0,7x0,5mm, straight



Drilling pattern for PCB terminal 0,7x0,5mm



Side definition

