



SJ sub-sub-miniature switch

Technical specifications

Contact configuration	S.P.D.T.
Switching voltage max.	12VDC
Switched current	10mA to 100mA
Operating force max.	200cN
Total travel	ca. 2,0mm
Mechanical life	min. 500.000 operations
Electrical life (max. load)	min. 100.000 operations
Ambient temperature	-40°C to +85°C
Materials	
Base	PPS
Cover	PBT + ASA
Actuator	POM
Sealing gasket	Silicone
Terminals	CuSn6 gal. Ag
Leads	Cu, Isolation PVC
Degree of protection (switch interior)	IP6K7

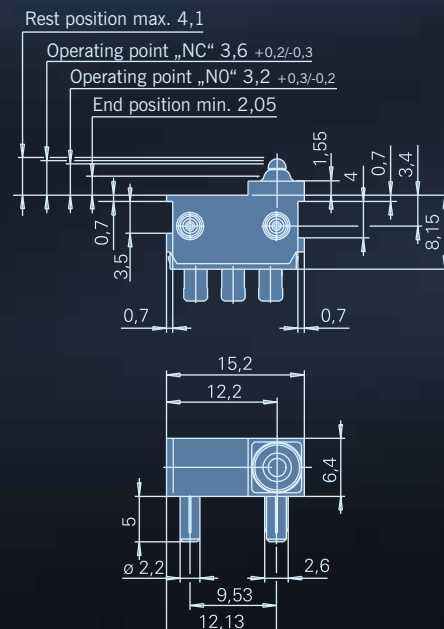
For detailed information and the layout of the details described above, please do not hesitate to ask for our technical specifications and drawing.

Features

- Sealed switch up to protection IP67
- Suitable for actuation at angles of up to 40°C depending on slide partner material, etc
- Easy installation thanks to connector pins and fastening nut
- Smallest dimensions
- Models available for up to 85°C operating temperature
- High contact stability by double redundant contact system
- High operating life
- Many connection possibilities, also with leads available on request



Dimensions in mm





Terminals and location pins

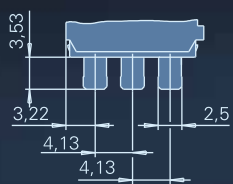
Type of terminal	Code
Solder terminals 2,5x0,4 mm, straight without pins	AN
Solder terminals 2,5x0,4 mm, straight with RH pins	AR
Solder terminals 2,5x0,4 mm, straight with LH pins	AL
PCB terminals 0,7x0,4 mm, straight without pins	BN
PCB terminals 0,7x0,4 mm, straight with RH pins	BR
PCB terminals 0,7x0,4 mm, straight with RH pins	BL

Auxiliary actuator options

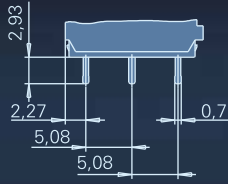
Auxiliary actuator	Code
Without auxiliary acutator	A0

Terminals

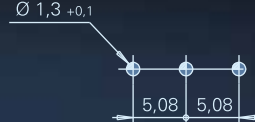
Solder terminal 2,5x0,5 mm



PCB terminal 0,7x0,5 mm, straight



Drilling pattern for PCB terminal 0,7x0,5 mm



Side definition

