

DZ SUBMINIATURE SWITCH

DZ subminiature switch

- Positive break action on NC contact
- Precision switch with high switch accuracy
- Various auxiliary actuators (can also be retrofitted), two mounting points
- Various terminal types available



Technical specifications

Series	DZ 1
Contact configuration	S.P.D.T., S.P.S.T. - N.C.
Contact gap	< 3 mm (μ)
Switching voltage max.	250 VAC
Switching current	3 (3) A
Operating voltage max.	220 cN without auxiliary actuator
Total travel	1.6 mm
Mechanical life	Min. 1×10^6 operations
Electrical life	25E3
Ambient temperature	-20 to +85°C
Proof tracking index	PTI 250

Materials

Base/cover	PET (UL 94 V-0)
Actuator	POM (UL 94 HB)
Positive break lever	LCP (UL 94 V-0)
Contacts	AgSnO ₂
Terminals	CuZn silver-plated
Auxiliary actuator	Stainless steel

Approvals 

Degree of protection IP40
Switch interior

Circuitry 2

Model	Code
S.P.S.T. - N.C.	F
S.P.D.T.	G*

Terminal type 4

Model	Code
Q.C. terminal 2.8 x 0.5 mm, straight	B1*
Solder terminal short	A1*

Auxiliary actuator 5

Model	Code
Without auxiliary actuator	Radiusform BA

* This variety and others on request

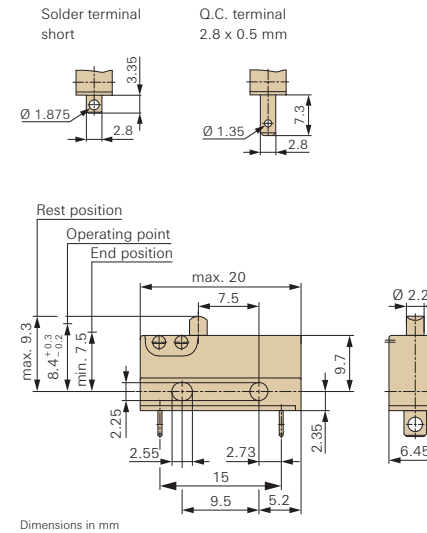
Order code

Order codes on request

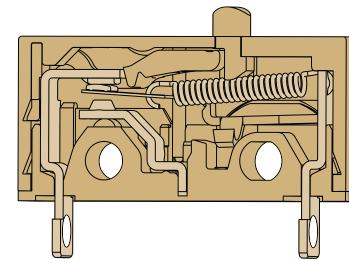
Electrical rating and operating life 2

Electrical rating according to	Electrical life (operations)	Mechanical life	Operating force	Housing mark	Code		
EN 61058-1	UL 1054	acc. to EN	acc. to UL	max. (cN)			
3 (3) A 250 VAC	5 A 125-250 VAC	25,000	6,000	1×10^6	220	DZ 1	1

Switch options



Switch system



Positive break action on NC contact