

Sealed Rocker Switch



Single Pole

KR Series

Features

- Snap-in mounting
- RoHS compliant
- 100,000 cycles mechanical life
- IP65
- Lighted and non-lighted versions available

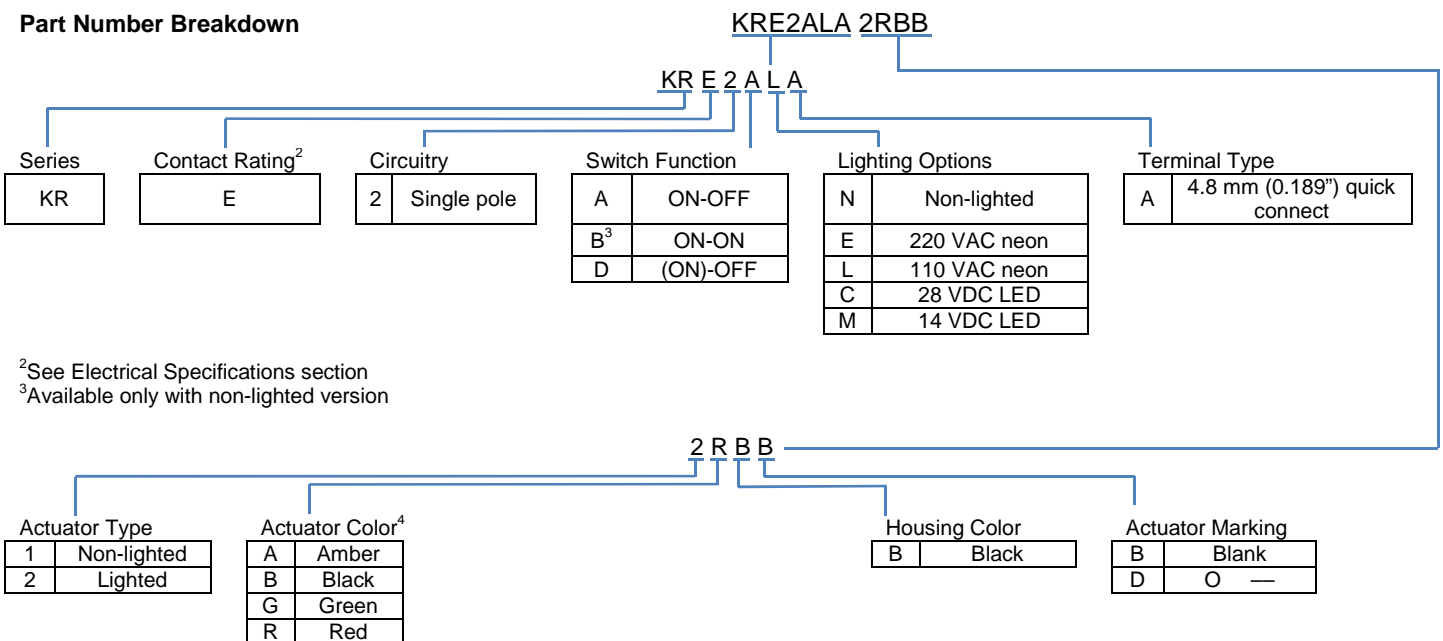
Standard Parts¹

North America	North America and Europe	Europe
KRE2ALA2GBB	KRE2ANA1BBD	KRE2AEA2GBB
KRE2ALA2RBB	KRE2BNA1BBB	KRE2AEA2RBB
	KRE2DNA1BBB	

¹The part number configuration matrix below provides details to the part numbers above.

For configurable part numbers that are not listed above, not listed in your region, or for custom part numbers, contact the factory or your distributor.

Part Number Breakdown



²See Electrical Specifications section

³Available only with non-lighted version

⁴Black actuator is only available for non-lighted; others only for lighted.



Electrical Specifications

Dielectric Strength	1500 VAC for 1 minute
Insulation Resistance	100 MΩ min at 500 VDC
Initial Contact Resistance	0.050 Ω max

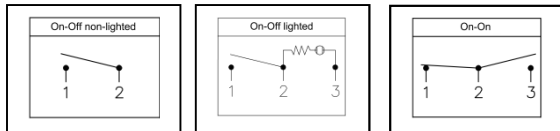
Electrical Ratings – UL1054

	VAC	VDC
Electrical Life at Rated Load Minimum Operations	16 A 125 VAC 1/3 HP / 10 A 250 VAC 1/2 HP	16 A 12 VDC / 6 A 28 VDC
UL File No: E23301	UL 6,000	

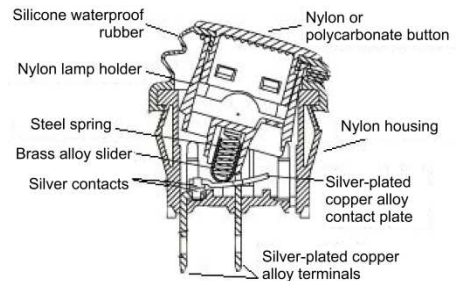
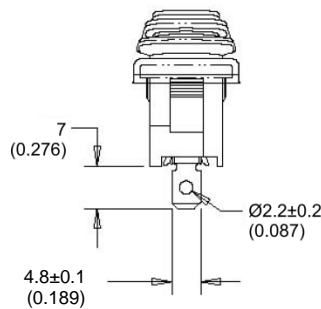
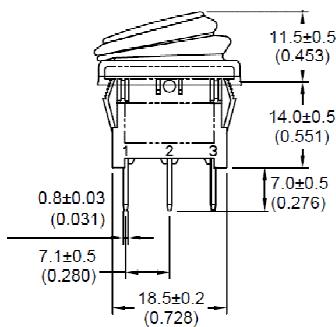
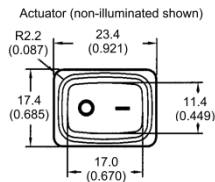
Material and Environmental Specifications

Actuator	Polycarbonate
Housing	Nylon 66 94 V-2
Spring	Steel Wire
Contacts	Silver Alloy
Movable Arm	Silver
Terminals	Silver-Plated Copper Alloy
Rubber Boot	Silicone
Operating Temperature Range	-25 °C to +85 °C (-13 °F to +185 °F)
Ingress Protection	IP65

Circuitry and Switch Functions – (ON)-OFF has same connections as ON-OFF; spring return on switch ±



Dimensions mm (inches)



Recommended Panel Cut-Out Dimensions		
Panel thickness	Dimension Y	Dimension X
0.75 to 1.50 (0.030 to 0.059)	19.4-0.1 (0.764±0.004)	13±0.1 (0.512±0.004)
1.50 to 2.50 (0.049 to 0.098)	19.8-0.1 (0.780±0.004)	

www.switches-sensors.zf.com ZF Electronics Systems Pleasant Prairie, LLC ("ZF") acquired the rights to the CHERRY branded switches and sensors in 2008. Although ZF divested its interest in the CHERRY name in 2015, the switches and sensors remain unchanged and are now sold under the ZF brand.

