

# Sealed Rocker Switch

## Single (and Double)<sup>1</sup> Pole KS Series



### Features

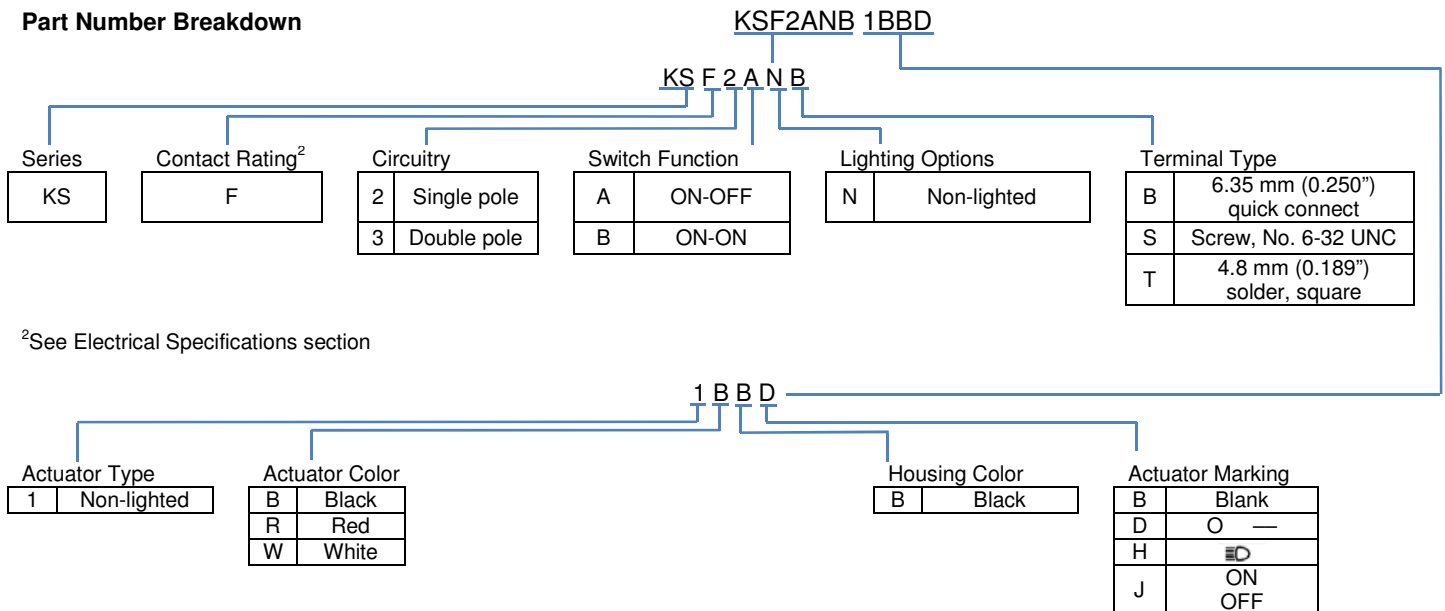
- Snap-in mounting
- RoHS compliant
- IP56
- 100,000 cycles mechanical life

### Standard Parts<sup>1</sup>

North America and Europe	
KSF2ANB1BBD	KSF2BNB1BBB

<sup>1</sup>The part number configuration matrix below provides details to the part numbers above. For configurable part numbers that are not listed above, not listed in your region, or for custom part numbers, contact the factory or your distributor.

### Part Number Breakdown



## Electrical Specifications

Dielectric Strength	1500 VAC for 1 minute
Insulation Resistance	100 MΩ min at 500 VDC
Initial Contact Resistance	0.050 Ω max

### Electrical Ratings

UL1054  
16 A 125 VAC / 10 A 277 VAC  
¾ HP 125/277 VAC

VDC<sup>3</sup>  
21 A 14 VDC

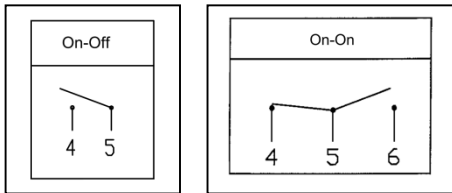
Electrical Life at Rated Load Minimum Operations	UL 6,000
---	-------------

<sup>3</sup>DC ratings not agency approved  
UL File No: E23301

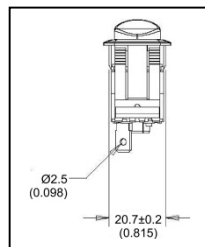
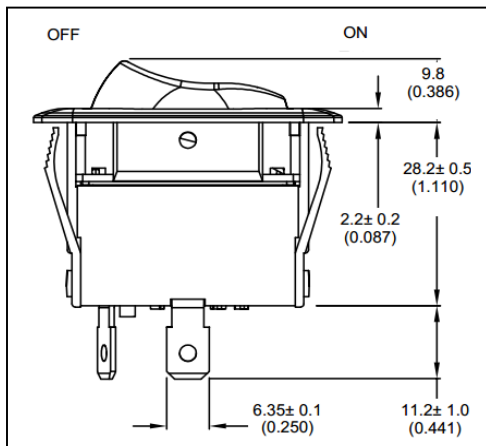
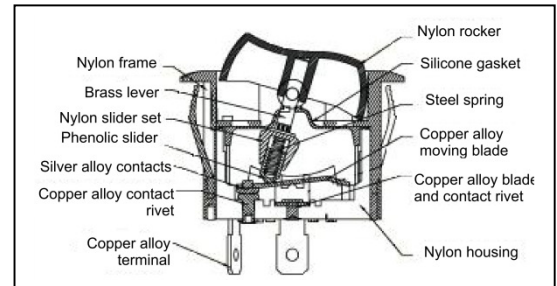
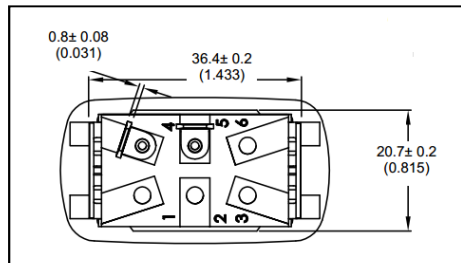
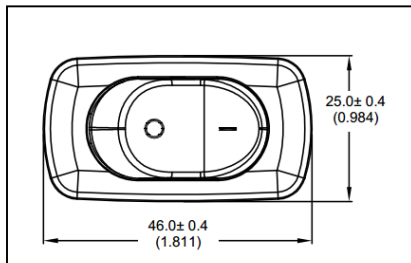
## Material and Environmental Specifications

Actuator	Nylon 66 with Glass Fiber
Housing	Nylon 66 94 V-2
Bezel	Nylon 66 with Glass Fiber
Spring	Steel
Contacts	Silver Inlay Copper Alloy
Movable Arm	Silver-Plated Copper Alloy
Terminals	Silver-Plated Copper Alloy
Operating Temperature Range	-20 °C to +85 °C (-4 °F to +185 °F)
Ingress Protection	IP56

## Circuitry and Switch Functions



## Dimensions mm (inches)



Recommended Panel Cut-Out Dimensions

Panel thickness	Dimension Y	Dimension X
0.75 to 1.25 (0.030 to 0.049)	36.6+0.2 (1.441+0.004)	21.2+0.1 (0.835+0.004)
1.25 to 2.00 (0.049 to 0.079)	36.8+0.2 (1.449+0.004)	
2.00 to 3.00 (0.079 to 0.118)	37.0+0.2 (1.457+0.004)	

[www.switches-sensors.zf.com](http://www.switches-sensors.zf.com) ZF Electronics Systems Pleasant Prairie, LLC ("ZF") acquired the rights to the CHERRY branded switches and sensors in 2008. Although ZF divested its interest in the CHERRY name in 2015, the switches and sensors remain unchanged and are now sold under the ZF brand.

Page 2 of 2, Last update 2017-11-06, Specifications subject to change without notice.

