

Sealed Rocker Switch



Single (and Double)¹ Pole KS Series

Features

- Snap-in mounting
- RoHS compliant
- IP56
- 100,000 cycles mechanical life

Standard Parts¹

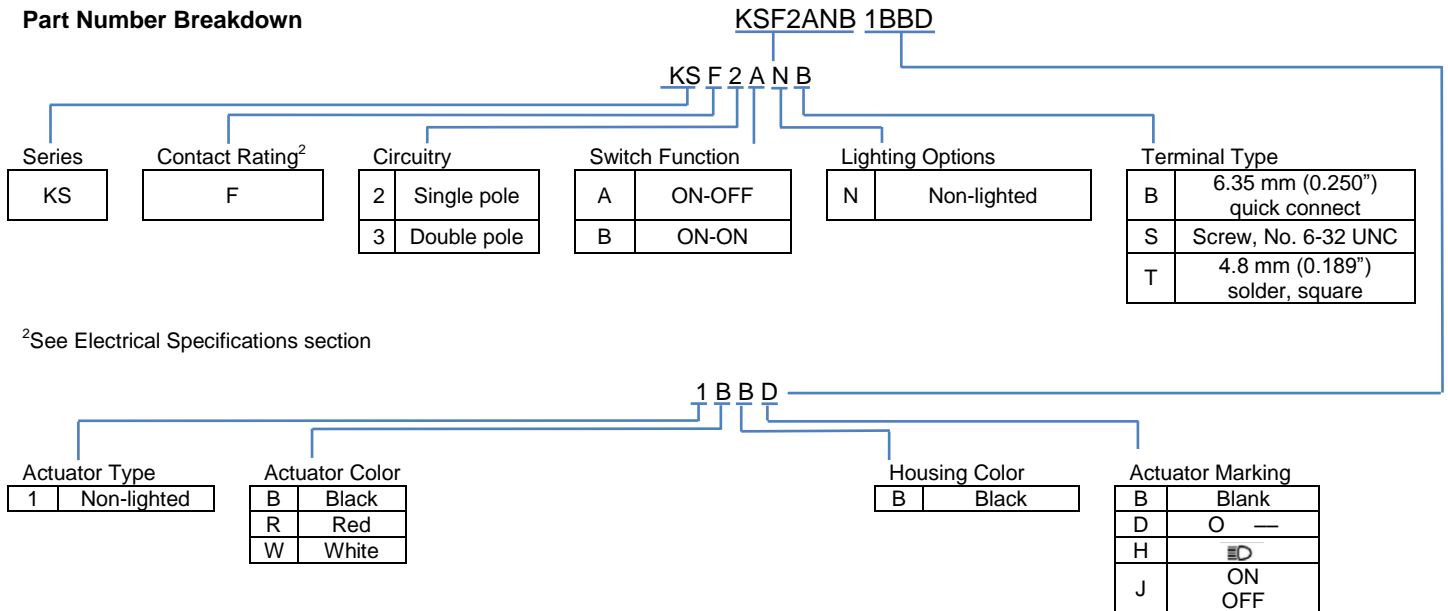
North America and Europe

KSF2ANB1BBD KSF2BNB1BBB

¹The part number configuration matrix below provides details to the part numbers above.

For configurable part numbers that are not listed above, not listed in your region, or for custom part numbers, contact the factory or your distributor.

Part Number Breakdown



Electrical Specifications

Dielectric Strength	1500 VAC for 1 minute
Insulation Resistance	100 MΩ min at 500 VDC
Initial Contact Resistance	0.050 Ω max

Electrical Ratings:

UL1054:		VDC ³ :
16 A 125 VAC / 10 A 277 VAC ¾ HP 125/277 VAC		21 A 14 VDC

Electrical Life at Rated Load	UL:
Minimum Operations	6,000

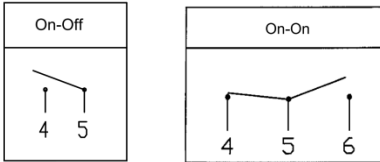
³DC ratings not agency approved

UL File No: E23301

Material and Environmental Specifications

Actuator	Nylon 66 with Glass Fiber
Housing	Nylon 66 94 V-2
Bezel	Nylon 66 with Glass Fiber
Spring	Steel
Contacts	Silver Inlay Copper Alloy
Movable Arm	Silver-Plated Copper Alloy
Terminals	Silver-Plated Copper Alloy
Operating Temperature Range	-20 °C to +85 °C (-4 °F to +185 °F)
Ingress Protection	IP56

Circuitry and Switch Functions



Dimensions mm (inches)

