

# Rocker Switch



## Single Pole

SR Series – SRB

### Features

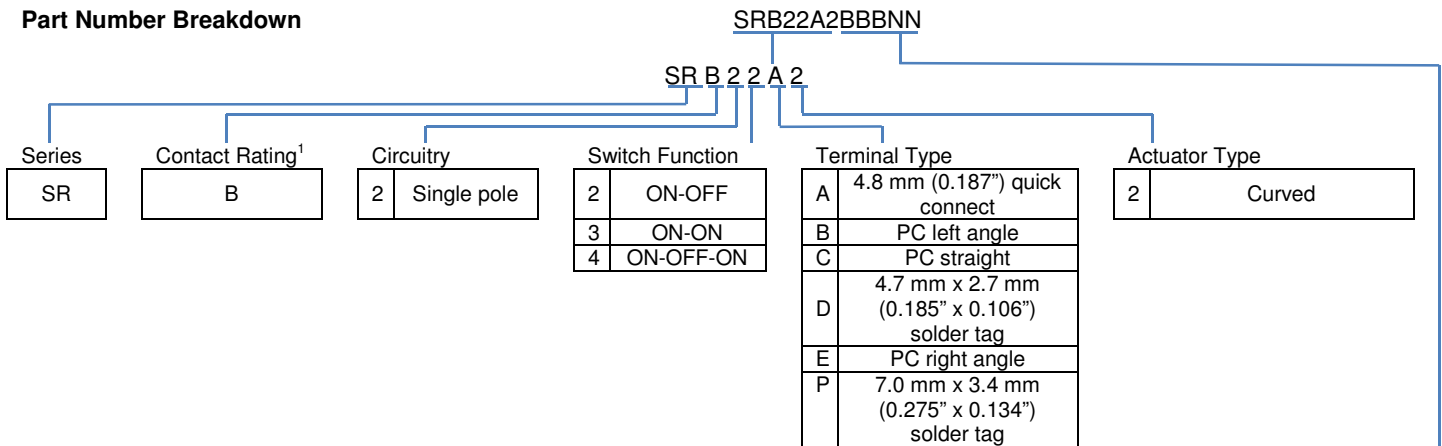
- Self-locking tabs
- Minimum 100,000 operations mechanical life
- RoHS compliant

### Standard Parts<sup>1</sup>

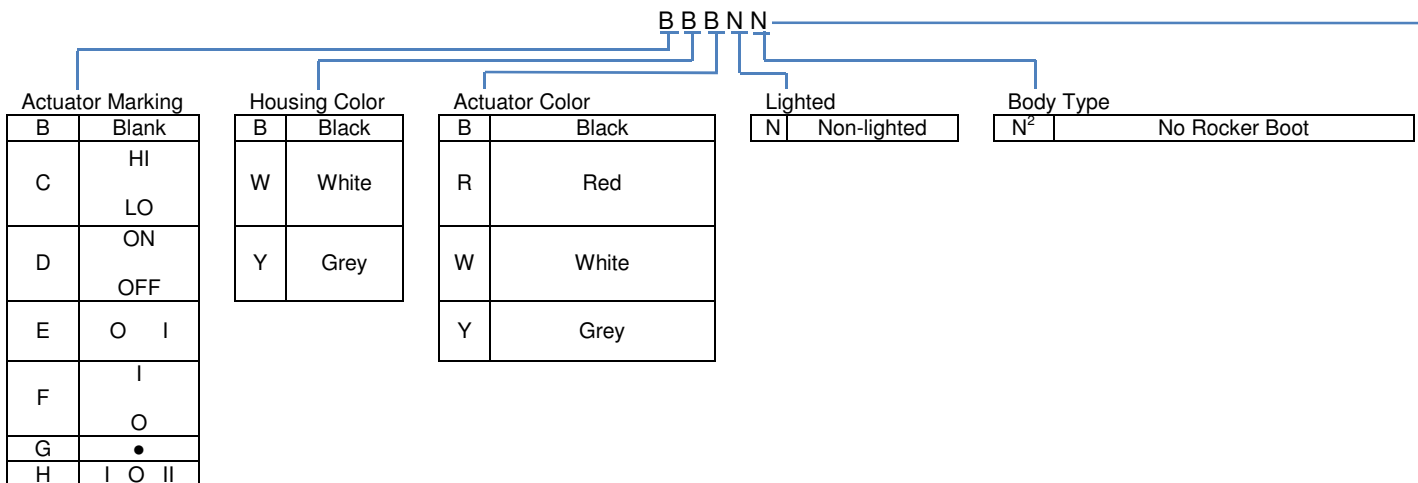
North America and Europe				
SRB22A2BBBNN	SRB22A2DBBNN	SRB22A2FBBNN	SRB22A2FBRNN	SRB23A2BBBNN

<sup>1</sup>The part number configuration matrix below provides details to the part numbers above. For configurable part numbers that are not listed above, contact the factory or your distributor.

### Part Number Breakdown



<sup>1</sup>See Electrical Specifications section



<sup>2</sup>A splash-proof boot can be ordered separately as part number 00150751



## Electrical Specifications

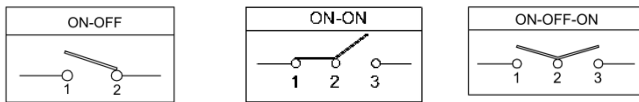
Inrush Rating – 2 Position	48 A	
Dielectric Strength	1000 VAC for 1 minute	
Insulation Resistance	100 MΩ min at 500 VDC	
Initial Contact Resistance	0.020 Ω max	
Switch Function	<b>EN61058-1 Rating</b>	<b>UL General Purpose Rating</b>
2, 3	10 (4) A 250 VAC ~ T125/55	10 A 125 VAC / 6 A 250 VAC
4	10 (4) A 250 VAC ~μ T125/55	10 A 125 VAC / 6 A 250 VAC
Electrical Life at Rated Load		
Minimum Operations	<b>VDE</b>	<b>UL</b>
Switch Function 2	50,000	6,000
Switch Function 3, 4	10,000	6,000

UL File No: E23301

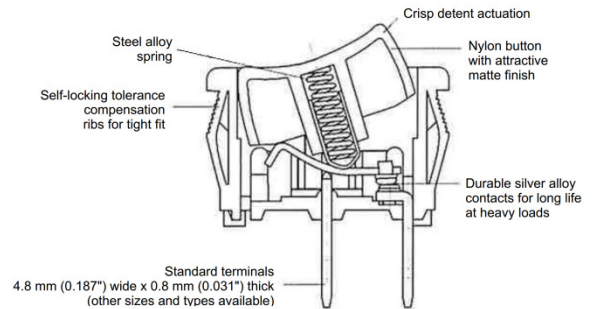
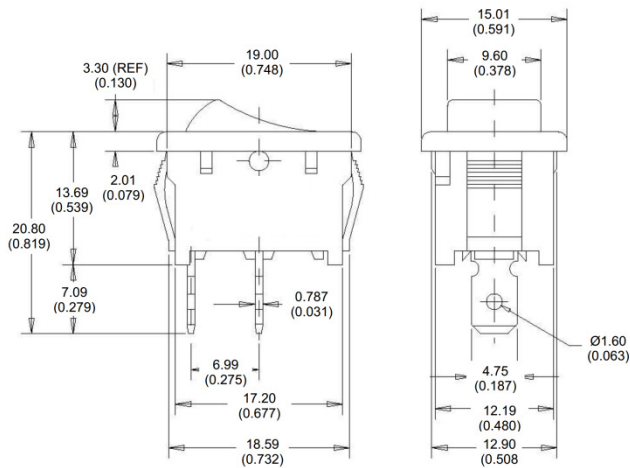
## Material and Environmental Specifications

Actuator	Nylon 66 94V-2
Base	Nylon 66 94V-2
Spring	Steel Wire
Contacts	Silver or Copper Alloy
Movable Arm	Silver-Plated Copper Alloy
Terminals	Tin-Plated Copper Alloy
Operating Temperature Range	-20 °C to +65 °C (-4 °F to +149 °F)

## Circuitry and Switch Functions



## Dimensions mm (inches)



Recommended Panel Cut-Out Dimensions		
Panel thickness	X Dimension	Y dimension
0.75 to 1.25 (0.30 to 0.049)	19.2 +0.1/-0 (0.756)	12.90 +0.15/-0 (0.508)
1.25 to 2.00 (0.049 to 0.079)	19.4 +0.1/-0 (0.764)	12.90 +0.15/-0 (0.508)
2.00 to 3.00 (0.079 to 0.118)	19.8 +0.1/-0 (0.780)	12.90 +0.15/-0 (0.508)