

# Rocker Switch



## Single Pole

TR Series

### Features

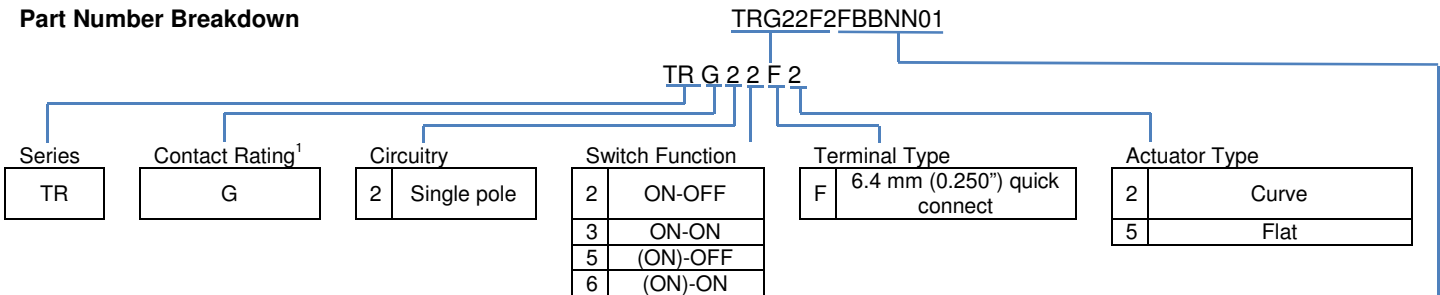
- Lighted & non-lighted versions available
- Maintained and momentary action
- 16 A switching in 11 mm wide packaging
- RoHS compliant
- Minimum 10,000 operations mechanical life

### Standard Parts<sup>1</sup>

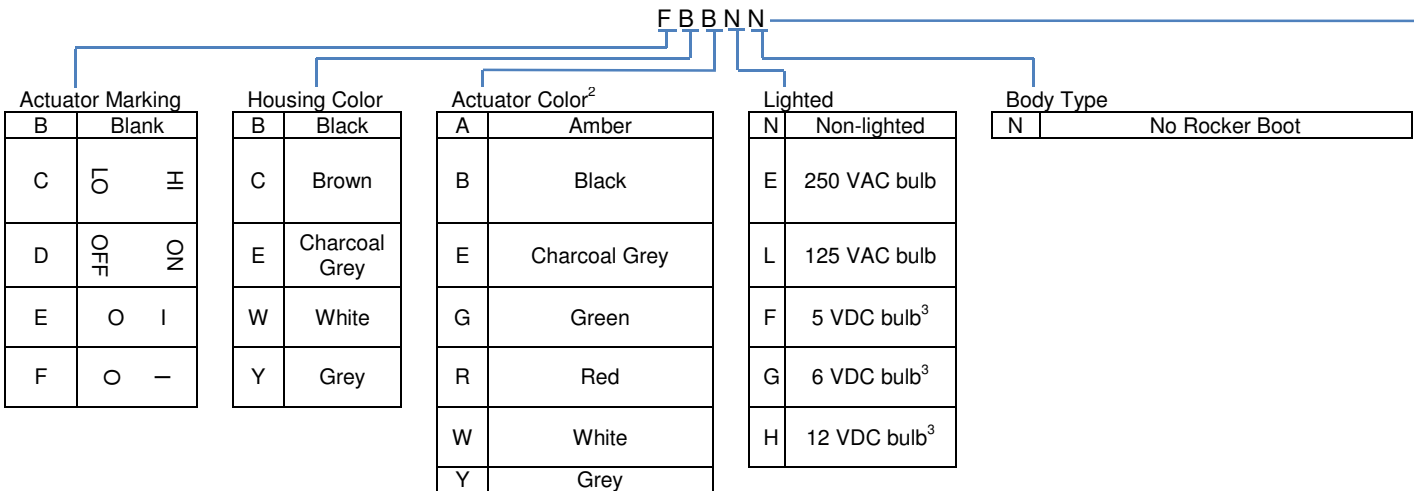
North America and Europe			Europe Only	
TRG22F2BBRLN	TRG22F2FBBNN	TRG22F2BBGEN	TRG22F2BBGLN	TRG22F2BBREN

<sup>1</sup>The part number configuration matrix below provides details to the part numbers above. For configurable part numbers that are not listed above, contact the factory or your distributor.

### Part Number Breakdown



<sup>1</sup>See Electrical Specifications section



<sup>2</sup>Charcoal Grey, White, Grey not available for illuminated actuator

<sup>3</sup>Switches have no agency DC ratings



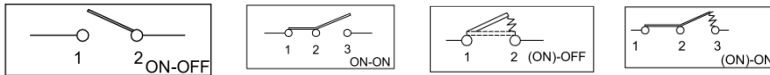
## Electrical Specifications

Inrush Rating – 2 Position				48 A
Inrush Rating – 3 Position				24 A
Dielectric Strength				1000 VAC for 1 minute
Insulation Resistance				100 MΩ min at 500 VDC
Initial Contact Resistance				0.020 Ω max
Switch Function	EN61058-1 Rating	UL General Purpose Rating	UL HP Rating	
All	16 (4) A 250 VAC ~T85/55	16 A 125 VAC / 16 A 250 VAC	¼ HP 125 VAC / ¾ HP 250 VAC	
Electrical Life at Rated Load Minimum Operations	VDE	UL		
	10,000	6,000		
UL File No: E23301				

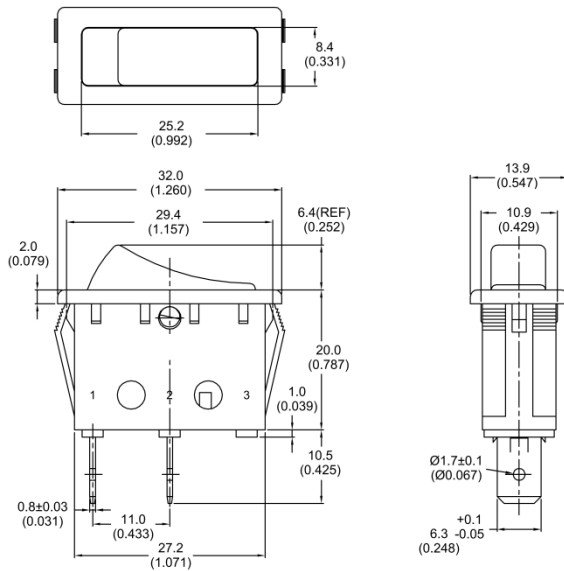
## Material and Environmental Specifications

Actuator, non-lighted	Nylon 66 94V-2			
Actuator, lighted	Polycarbonate			
Base	Nylon 66 94V-2			
Spring	Steel Wire			
Contacts	Silver Alloy			
Movable Arm	Silver-Plated Copper Alloy			
Terminals	Silver-Plated Copper Alloy			
Operating Temperature Range	-20 °C to +85 °C (-4 °F to +185 °F)			

## Circuitry and Switch Functions



## Dimensions mm (inches)



NOTE: TOLERANCES UNLESS OTHERWISE SPECIFIED: ± 0.3 (0.012)

Recommended Panel Cut-Out Dimensions		
Panel thickness	X Dimension	Y Dimension
0.75 to 1.25 (0.030 to 0.049)	30.23 (1.19)	11.00 (0.433)
1.25 to 2.00 (0.049 to 0.079)	30.48 (1.20)	11.00 (0.433)
2.00 to 3.00 (0.079 to 0.118)	30.73 (1.21)	11.00 (0.433)

