

Rocker Switch

Single and Double Pole WR Series



Features

- Lighted and non-lighted
- Rugged design for 2-pole high current applications
- RoHS compliant
- Minimum 10,000 operations mechanical life

Standard Parts¹

North America and Europe

WRG32F2FBBRLN WRG32F2FBGLN WRG32F5FBBNN WRG32F2FBBBNN WRG32F2FBRLN

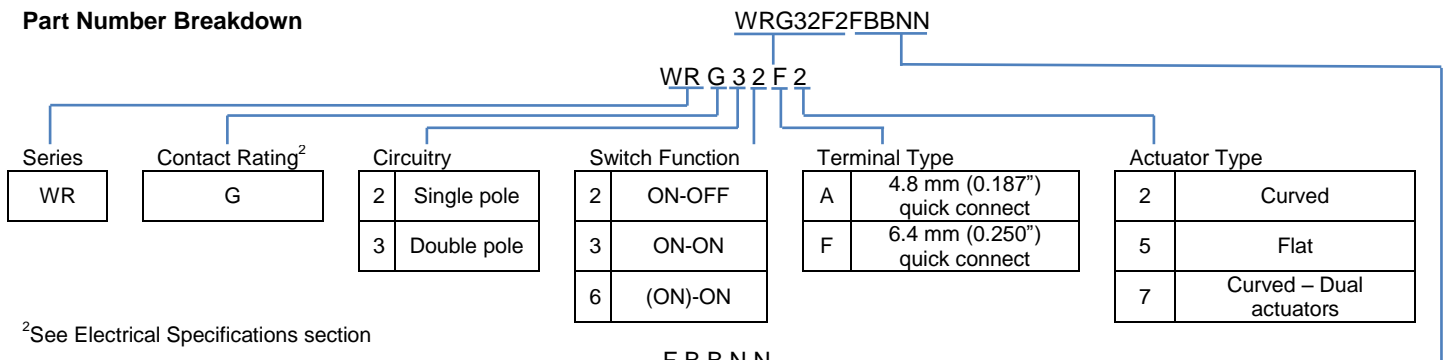
Europe

WRG32F2BBBNN WRG32F2FBGEN WRG32F7BWWKN WRG32F2BBGEN WRG32F2FBREN
 WRG32F7BWWNN WRG32F2BBGLN WRG32F7BBBKN WRG33F2BBBNN WRG32F2BBREN
 WRG32F7BBBNN WRG34F2BBBNN

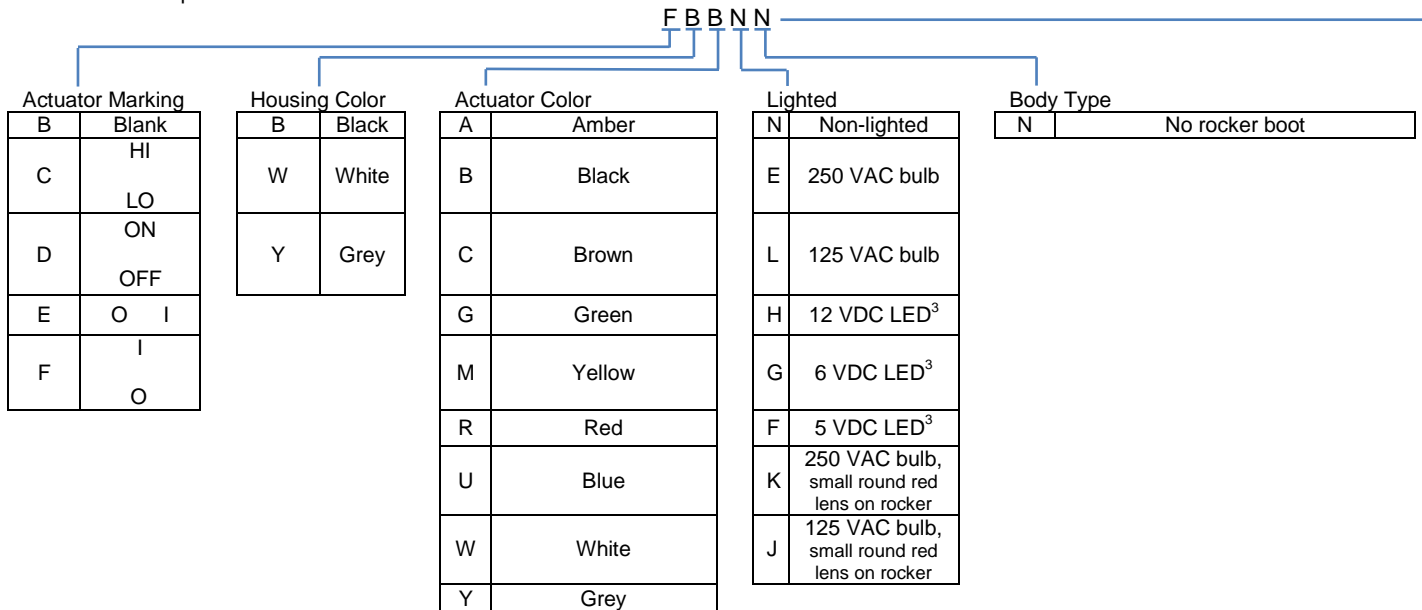
¹The part number configuration matrix below provides details to the part numbers above.

For configurable part numbers that are not listed above, not listed in your region, or for custom part numbers, contact the factory or your distributor.

Part Number Breakdown



²See Electrical Specifications section



³Switches have no agency DC ratings



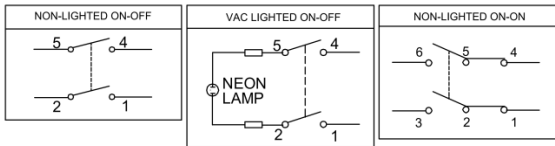
Electrical Specifications

Inrush Rating – 2 position	48 A		
Inrush Rating – 3 position	24 A		
Dielectric Strength	1000 VAC for 1 minute		
Insulation Resistance	100 MΩ min at 500 VDC		
Initial Contact Resistance	0.020 Ω max		
Switch Function:	EN61058-1:	UL Gen Purpose 1054:	UL HP:
ALL	16 (4) A 250 V~ T125/55	16 A 125 VAC / 16 A 250 VAC	¼ HP 125 VAC, ¾ HP 250 VAC
Electrical Life at Rated Load:	VDE:	UL:	
Minimum Operations	10,000	6,000	
UL File No: E23301			

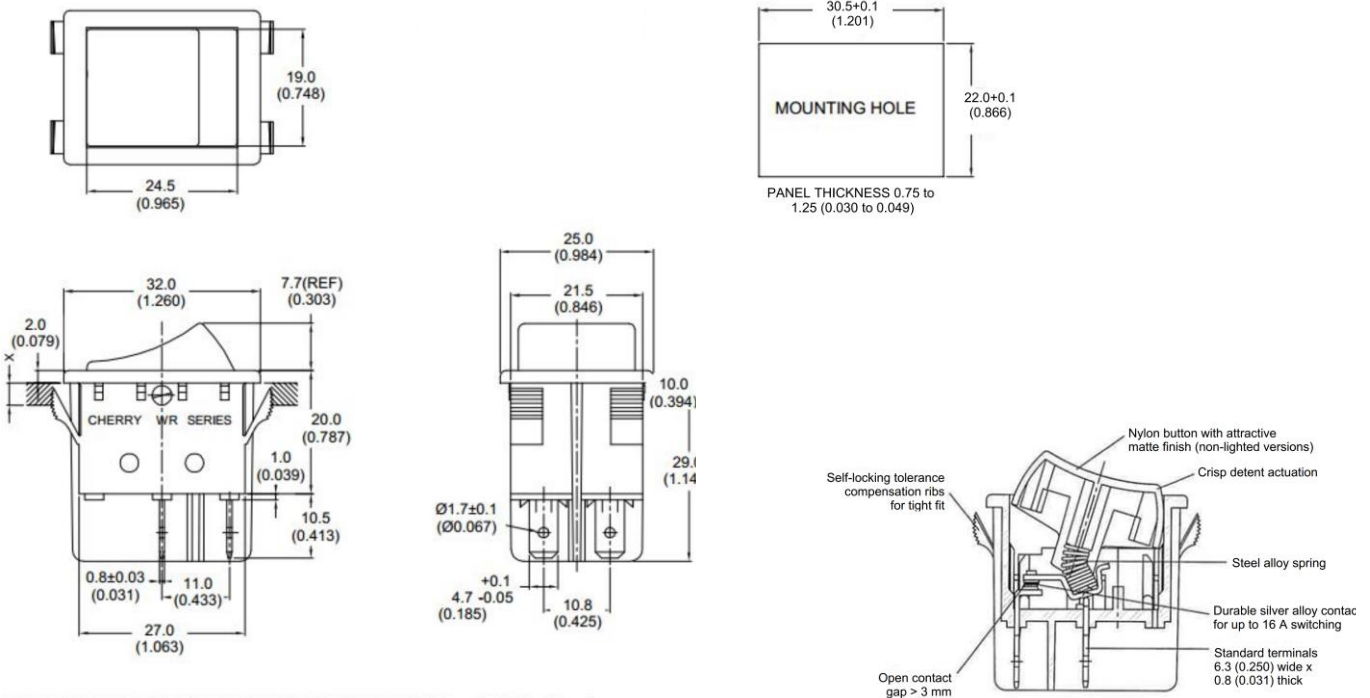
Material and Environmental Specifications

Actuator, non-lighted	Nylon 66 94V-2		
Actuator, lighted	Polycarbonate		
Base	Nylon 66 94V-2		
Spring	Steel Wire		
Contacts	Silver Alloy		
Movable Arm	Silver-Plated Copper Alloy		
Terminals	Tin-Plated Copper Alloy		
Operating Temperature Range - VDE	-20 °C to +65 °C (-4 °F to +149 °F)		

Circuitry and Switch Functions



Dimensions mm (inches)



NOTE: TOLERANCES ±0.012 (0.3) UNLESS OTHERWISE SPECIFIED

