



NM02 center-off switch

Technical specifications

Contact configuration	2 contacts with common middle contact
Contact gap	< 3 mm
Switched current	5 to 100 mA at 12VDC
Actuator travel	max. 40°
Switching point	10° ± 5°
Operating force max.	max. 50 cN
Mechanical life	100.000 operations in every direction
Materials	
Housing	PA
Actuator	PA
Terminals	CuZn (silver-plated)
Contacts	AuAg (Crosspoint)
Sealing gasket	TPE (silicon-free)
Degree of protection (switch interior)	IP67

For detailed information and the layout of the details described above, please do not hesitate to ask for our technical specifications and drawing.

Features

- Switch in miniature construction with neutral middle setting and large actuation angle ($\pm 40^\circ$) to the left and right
- Switching point of $10 \pm 5^\circ$
- Large overtravel for high switching stability
- Depending on the actuation direction, the opposite contact closes
- Operating life > 100.000 switch actuations
- Waterproof according to protection type IP67 with silicon-free sealing gasket
- Ambient temperature -40 to $+85^\circ\text{C}$
- Order code NM02-0058

PLEASE NOTE

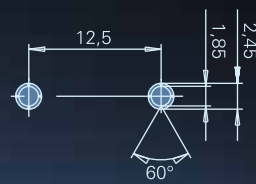


CHERRY
will become
ZF in 2017.

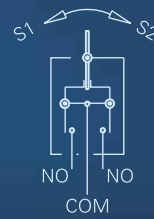




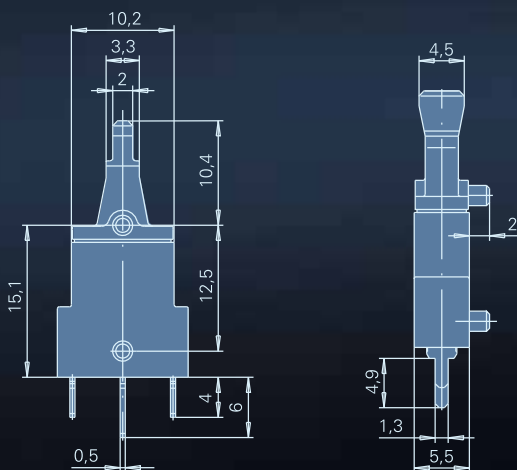
Hole pattern for fixation pins



How it works



Dimensions in mm



Travel/deflection

