






## D3 miniature switch

### Technical specifications

<b>Contact configuration</b>	S.P.D.T, S.P.S.T.-N.O., S.P.S.T.-N.C. (see table)
<b>Contact gap</b>	< 3 mm ( $\mu$ ) or > 3 mm
<b>Switching voltage</b>	250 VAC
<b>Switched current max.</b>	10 A (> 3 mm) or 16 A (< 3 mm, $\mu$ ) (see table)
<b>Total travel</b>	2,6mm without auxiliary actuator
<b>Mechanical life</b>	1 x 10 <sup>6</sup> operations (> 3 mm) 10 x 10 <sup>6</sup> operations (< 3 mm, $\mu$ )
<b>Electrical life (max. load)</b>	> 50.000 switching cycles acc. to EN 61058 > 10.000 switching cycles acc. to UL 1054 (>3mm) > 6.000 sw. cycles acc. to UL 1054 (<3mm, $\mu$ )
<b>Ambient temperature</b>	40T85
<b>Proof tracking index</b>	PTI 250
<b>Materials</b>	
<b>Case / cover</b>	PET (UL94 V-0)
<b>Actuator</b>	POM/PET
<b>Contacts</b>	AgNi
<b>Terminals</b>	Cu/CuZn
<b>Auxiliary actuator</b>	nickel-plated steel, alternative stainless steel
<b>Approvals</b>	  

For detailed information and the layout of the details described above, please do not hesitate to ask for our technical specifications and drawing.

### Features

- Standard switch proven millions of times over, extremely frictional, self-cleaning contacts
- Version with contact gap > 3 mm on an identical basis
- Flexible thanks to various auxiliary actuators and various mounting points
- Wide variety of terminal types
- Approved according to EN 61058 and UL 1054

PLEASE NOTE



CHERRY  
will become  
ZF in 2017.

### Switching parameters

Model		Max. Operating force (cN)	Max. pretravel (mm)	Min. overtravel (mm)	Differential travel max. (mm)	Max. rest position (mm)	Operating point (mm)
Without auxiliary actuator	> 3 mm	500	1,9	0,7	1,2	16,0	14,4 ± 0,5
Without auxiliary actuator	< 3 mm	400	1,5	1,2	0,3	16,0	14,7 ± 0,5

### Electrical rating and variants

Electrical rating according to	Availability			Contact gap	Housing mark	
	EN 61058	UL 1054	S.P.S.T. - N.O			S.P.S.T. - N.C.
4 (3)A, 250 VAC	4 A, 125–250 VAC	yes	–	–	> 3 mm	D3 6
8 (8)A, 250 VAC	10 A, 125–250 VAC	–	yes	yes	> 3 mm	D3 B
10 (10)A, 250 VAC	10 A, 125–250 VAC	yes	–	–	> 3 mm	D3 F
16 (4)A, 250 VAC	16 A, 125–250 VAC	yes	yes	yes	< 3 mm ( $\mu$ )	D3 8

Additional breaking capacities on request

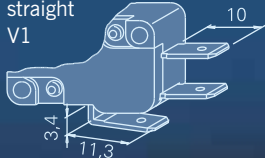


## Preferred parts

Order code	Electrical rating		Terminals	Auxiliary actuator	Operating force (cN)	Operating point (mm)	Max. pretravel (mm)	Min. overtravel (mm)	Differential travel max. (mm)
	EN	UL							
D364-V1AA	4 (3)A, 250 VAC	4A, 125-250 VAC	Q.C. terminals 6,3x0,8 mm, straight	–	500	14,4 ± 0,5	1,9	0,7	1,2
D3B6-V3AA	8 (8)A, 250 VAC	10A, 125-250 VAC	Q.C. terminals 6,3x0,8 mm, dog-leg	–	500	14,4 ± 0,5	1,9	0,7	1,2
D3F4-S8AA	10 (10)A, 250 VAC	10A, 125-250 VAC	Solder terminals with temperature stop	–	500	14,4 ± 0,5	1,9	0,7	1,2
D3F4-V1AA	10 (10)A, 250 VAC	10A, 125-250 VAC	Q.C. terminals 6,3x0,8 mm, straight	–	500	14,4 ± 0,5	1,9	0,7	1,2

## Terminals

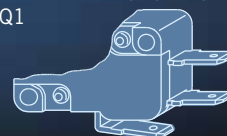
Q.C. terminals, 6,3x0,8 mm, straight  
V1



Q.C. terminals, 6,3x0,8 mm, dog-leg  
V3



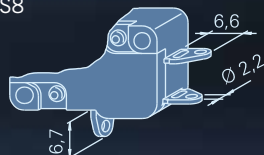
Q.C. terminals, 4,8x0,8 mm  
Q1



Q.C. terminals, 4,8x0,8 mm dog-leg  
Q3



Solder terminals  
S8

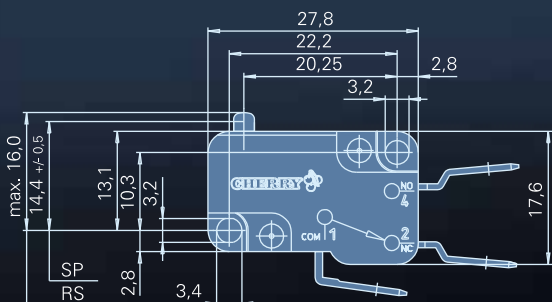


Screw terminals  
W9

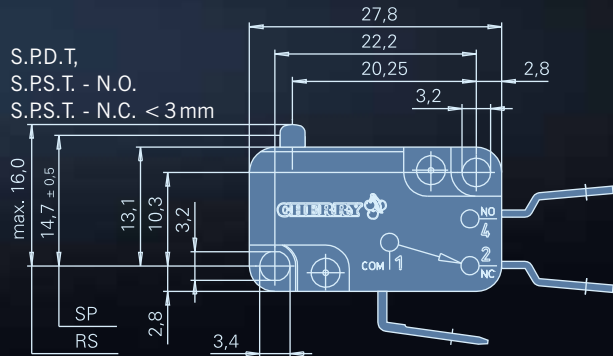


## Dimensions in mm

S.P.D.T,  
S.P.S.T. - N.C. > 3 mm



S.P.D.T,  
S.P.S.T. - N.O.  
S.P.S.T. - N.C. < 3 mm



Screw terminals W9