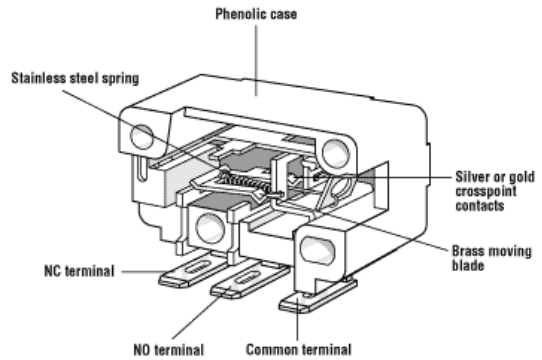


# Miniature Low Torque Snap Action Switch **E51/E53 Series**



## Features

- Long life coil spring mechanism
- Low torque rotary actuation
- Clockwise or counter clockwise actuation
- Six terminal styles
- RoHS compliant

<b>Electrical Ratings and Operating Life</b>		
Switch Series	According to UL 1054	
	Nominal Load	Electrical Life at Rated Load
E51	6A, 250VAC	6,000
E53	0.1A, 125VAC	6,000

## Technical Specifications

**Temperature Rating:** -40°C to 85°C

**Flammability Rating** UL94HB

**Mounting:** Recommended screw: #4-40 round head  
 Recommended torque: 4 inch lbs. max

**UL File Number:** E23301

RoHS Compliant

Specifications subject to change

## Material Specifications

**Case:** General Purpose Phenolic

**Terminal:** Silver Plated Brass

**Moving Blade:** Brass

**Contacts:** E51: Silver Alloy  
 E53: Gold Crosspoint

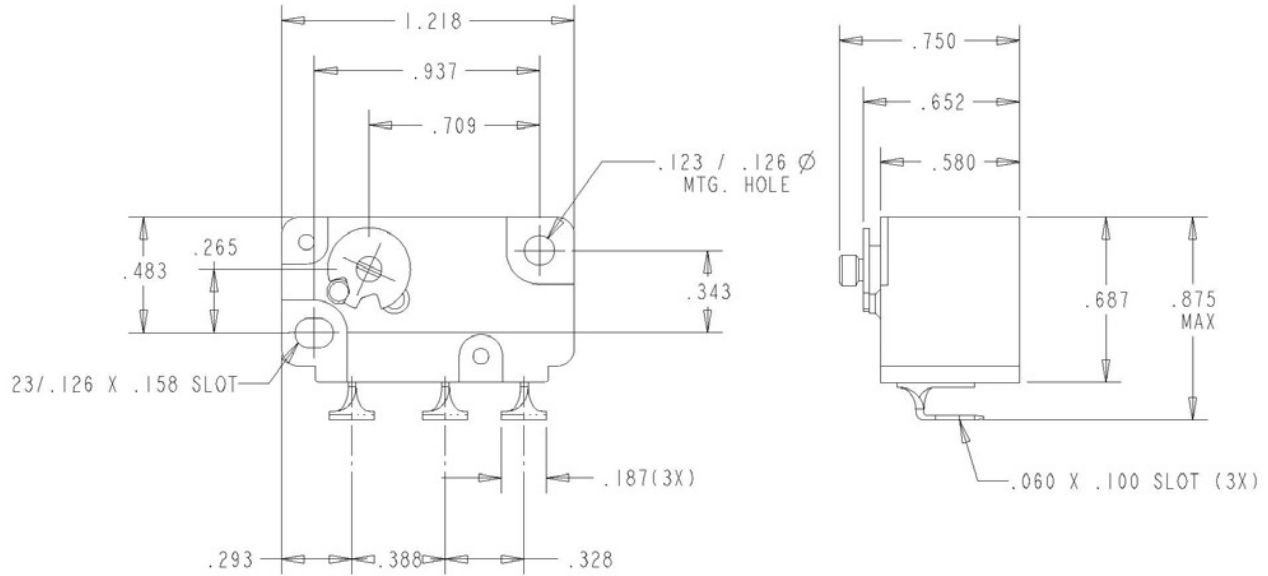
**Spring:** Stainless Steel



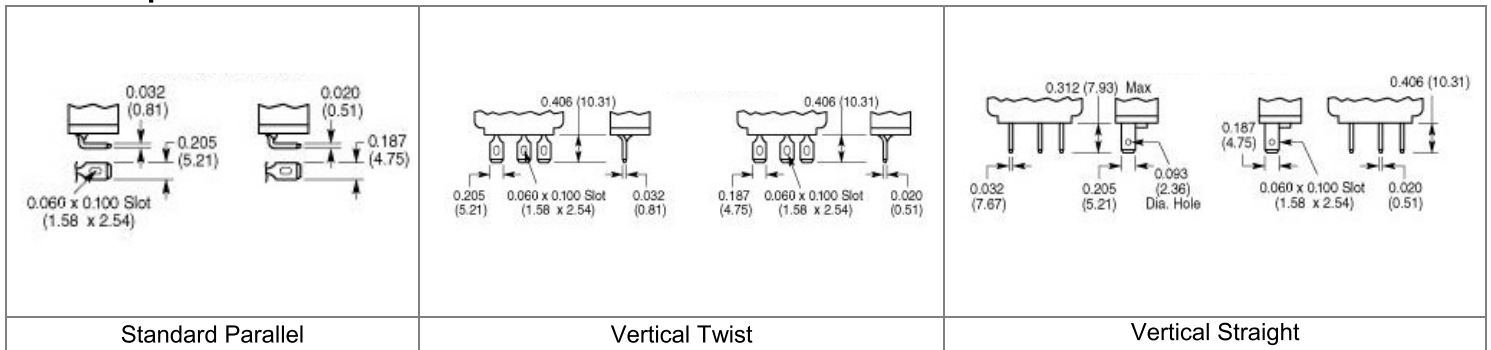
Miniature Low Torque

# E51/E53 Series

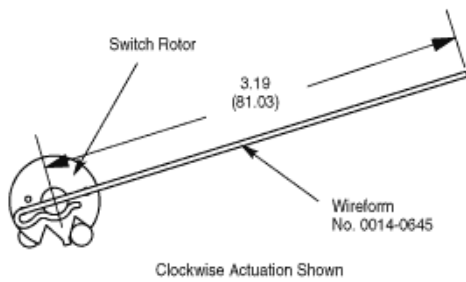
Dimensions inches



Terminal Options inches



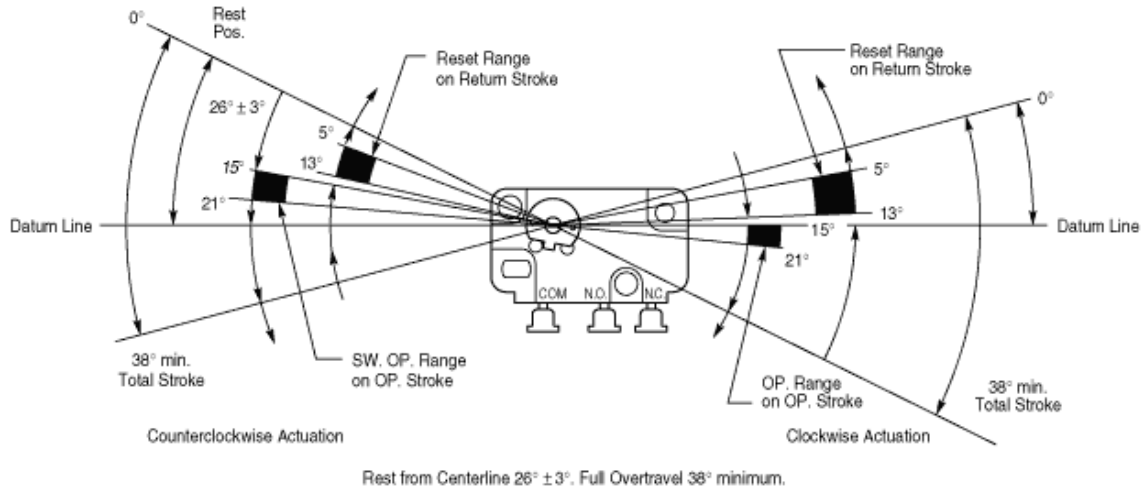
Actuators



- Wireform actuators are supplied unassembled with each switch, they may be assembled to the switch rotor as shown.

**Commonly Stocked Distributor Items / Preferred Part Numbers**

Part Number	Contacts	Terminal Size	Operating Direction	Maximum Operate Force (inch gms)	Operate Point degrees	Minimum Overtravel degrees	Max. Movement Differential degrees	Minimum Total Stroke degrees
0E5100B0	Silver Alloy	Standard Parallel 0.205"	Clockwise	4.0	15-21	17	3	38
0E5100E0	Silver Alloy	Standard Parallel 0.205"	Counter Clockwise	4.0	15-21	17	3	38
0E5100R0	Silver Alloy	Standard Parallel 0.187"	Clockwise	4.0	15-21	17	3	38
0E5100T0	Silver Alloy	Standard Parallel 0.187"	Counter Clockwise	4.0	15-21	17	3	38
0E5150B0	Silver Alloy	Vertical Twist 0.205"	Clockwise	4.0	15-21	17	3	38
0E5150E0	Silver Alloy	Vertical Twist 0.205"	Counter Clockwise	4.0	15-21	17	3	38
0E5150R0	Silver Alloy	Vertical Twist 0.187"	Clockwise	4.0	15-21	17	3	38
0E5150T0	Silver Alloy	Vertical Twist 0.187"	Counter Clockwise	4.0	15-21	17	3	38
0E5160B0	Silver Alloy	Vertical Straight 0.205"	Clockwise	4.0	15-21	17	3	38
0E5160E0	Silver Alloy	Vertical Straight 0.205"	Counter Clockwise	4.0	15-21	17	3	38
0E5300R0	Gold Crosspoint	Standard Parallel 0.187"	Clockwise	4.0	15-21	17	3	38



**Ordering Information**

Select the current rating prefix you need (E51/E53). Combine the prefix with the corresponding terminal configuration. For example part number E53-60E will provide you with a gold crosspoint counter clockwise operating switch with 0.205" vertical straight terminals. To order a normally open version simply 'add 1' to the suffix to obtain E53-61E and normally closed 'add 2' for part number E53-62E

**Contact**

Call, fax or visit our Website for more information.

**ZF Electronics Corporation**  
 11200 88th Avenue  
 Pleasant Prairie, WI 53158

The manufacturer accepts no liability for errors or non-availability, and reserves the right to change specifications without prior notice.

Technical data relates to productatures may be deemed.

PRODUCT DISCONTINUED  
 FOR POSSIBLE ALTERNATIVE PLEASE REFER TO  
 MINIATURE D4 SERIES  
<http://switches-sensors.zf.com/us/product/miniature-d4/>

ZF Electronics Corporation

