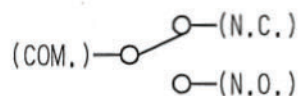


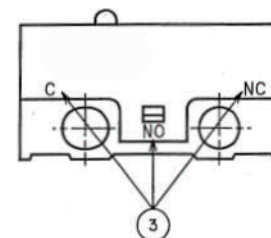
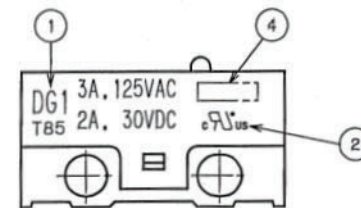
CIRCUITRY



Note.1. Tolerance; unless otherwise specified ± 0.4 mm

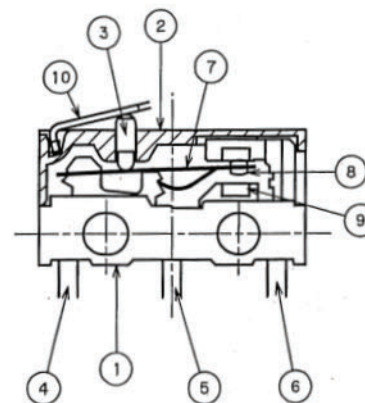
MARKING

NO	MARKS
1	RATINGS
2	UL Recognized Canadian National Recognized by UL
3	CIRCUITRY
4	LOT No. REF:01 6 A Z 1 week '06 year A: MON.~WED. B: THU.~SAT. Location Z: China T: Japan

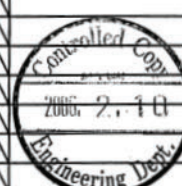


CONSTRUCTION

NO	NAME	MATERIAL	Qty
1	BASE UNIT	PPS COLOR: BLACK UL 94V-0	1
2	COVER	PBTP COLOR: BLACK UL 94V-0	1
3	BUTTON	PBTP COLOR: GRAY UL 94V-0	1
4	BRACKET (COM)	BRASS (SILVER PLATED)	1
5	BRACKET (N.O.)	BRASS (SILVER PLATED)	1
6	BRACKET (N.C.)	BRASS (SILVER PLATED)	1
7	BLADE	BERYLLIUM COPPER	1
8	MOVABLE CONTACTS	SILVER ALLOY	1
9	STATIONARY CONTACTS	SILVER ALLOY	2
10	ACTUATOR	STAINLESS	1



				DWN	CKD	APP	REMARKS
				H. Mizuno	K. Kuroki	M. Abe	MANAGEMENT CODE: -C
				25. Jan. '06	10. Feb. '06	10. Feb. '06	
				SCALE	UNITS	PROJ.	
				NON	mm	3RD	
ECN-65867	25. Jan. '06						
EDITION 1 FIXED	25. Jan. '06						
REVISE	DATE	REVISE	DATE				
Group	DG	Title	Part No.	DG13-B2LA	DWG No.	305765	DIVISION A3
							DES1 1/1



ZF Friedrichshafen AG
Electronic Systems
Cherrystrasse
D-91275 Auerbach/Opf.