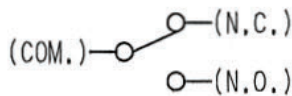


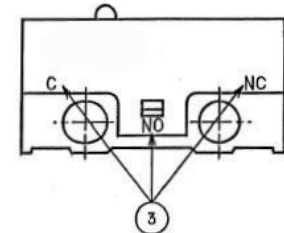
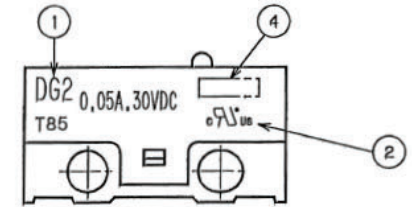
CIRCUITRY



Note.1. Tolerance; unless otherwise specified ± 0.4 mm

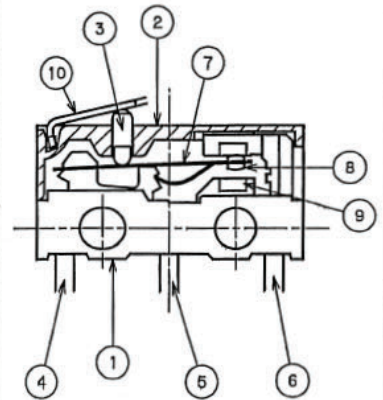
MARKING

NO	MARKS
1	RATINGS
2	UL Recognized Canadian National Recognized by UL
3	CIRCUITRY
4	LOT No. REF:01 6 A-Z 1 week '06 year A:MON,~WED. B:THU,~SAT.

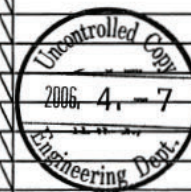


CONSTRUCTION

NO	NAME	MATERIAL	Qty
1	BASE UNIT	PPS COLOR:BLACK UL 94V-0	1
2	COVER	PBTP COLOR:BLACK UL 94V-0	1
3	BUTTON	PBTP COLOR:GRAY UL 94V-0	1
4	BRACKET(COM)	BRASS(SILVER PLATED)	1
5	BRACKET(N.O.)	BRASS(SILVER PLATED)	1
6	BRACKET(N.C.)	BRASS(SILVER PLATED)	1
7	BLADE	BERYLLIUM COPPER	1
8	MOVABLE CONTACTS	SILVER ALLOY(GOLD FLASHED)	1
9	STATIONARY CONTACTS	SILVER ALLOY(GOLD FLASHED)	2
10	ROLLER ACTUATOR	ROLLER:POM UL 94HB ACTUATOR:STAINLESS	1



ECN	DATE	REVISION	DATE	DWN	CKD	APP	REMARKS
ECN-65868	30,Jan,'06			H.Mizuno	K.Nishida	M.Abe	MANAGEMENT CODE: -C
EDITION 1 FIXED	30,Jan,'06			09, Feb '06	13, Feb '06		
REVISION	DATE	REVISION	DATE	SCALE	UNITS	PROJ.	
				NON	mm	3RD	
Group	DG	Title	Part No.	DWG No.		DIVISION	A3
		Micro Switch	DG23-B1RA	305780		DES1	1/1



ZF Friedrichshafen AG
Electronic Systems
Cherrystrasse
D-91275 Ansbach/Opf.