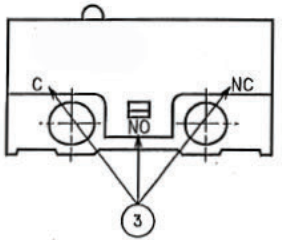
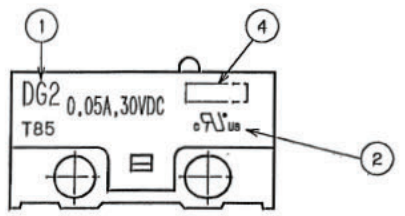


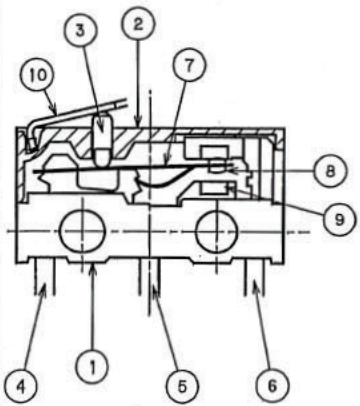
# MARKING

NO	MARKS
1	RATINGS
2	UL Recognized Canadian National Recognized by UL
3	CIRCUITRY
4	LOT No. REF:01 6 A Z 1 week '06 year A: MON.~WED. B: THU.~SAT. Location Z: China T: Japan

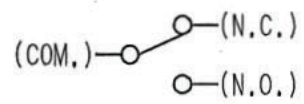


# CONSTRUCTION

NO	NAME	MATERIAL	Qty
1	BASE UNIT	PPS COLOR:BLACK UL 94V-0	1
2	COVER	PBTP COLOR:BLACK UL 94V-0	1
3	BUTTON	PBTP COLOR:GRAY UL 94V-0	1
4	BRACKET(COM)	BRASS(SILVER PLATED)	1
5	BRACKET(N.O.)	BRASS(SILVER PLATED)	1
6	BRACKET(N.C.)	BRASS(SILVER PLATED)	1
7	BLADE	BERYLLIUM COPPER	1
8	MOVABLE CONTACTS	SILVER ALLOY(GOLD FLASHED)	1
9	STATIONARY CONTACTS	SILVER ALLOY(GOLD FLASHED)	2
10	ACTUATOR	STAINLESS	1

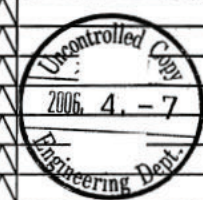


# CIRCUITRY



Note.1. Tolerance; unless otherwise specified ±0.4 mm

REVISION	DATE	REVISION	DATE	DWN	CKD	APP	REMARKS
				H. Mizuno	M. Nishikawa	M. Abe	MANAGEMENT CODE: -C
				30. Jan. '06	10. Feb. '06	13. Feb. '06	
ECN-65868	30. Jan. '06			SCALE NON	UNITS mm	PROJ. 3RD	
EDITION 1 FIXED	30. Jan. '06						
REVISE	DATE	REVISE	DATE				
Group DG	Title Micro Switch	Part No.	DG23-B2LA	DWG No.	305782	DIVISION DES1	A3



ZF Friedrichshafen AG  
Electronic Systems  
Cherrystrasse  
D-91275 Auerbach/Opf.