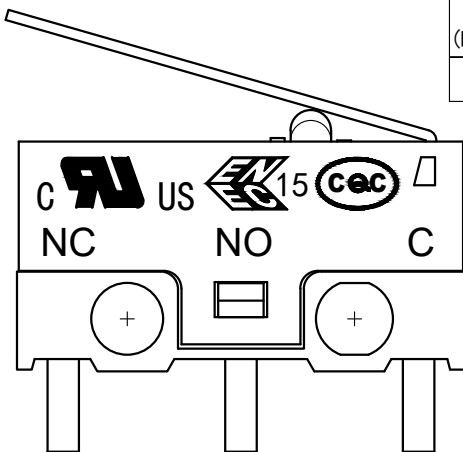
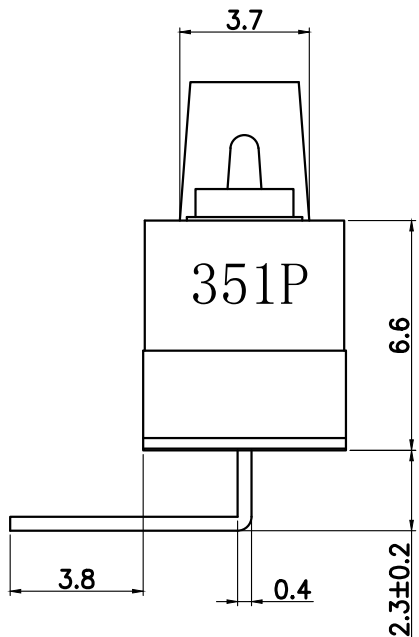
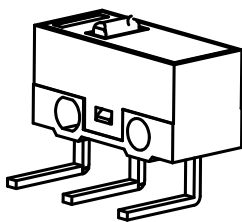
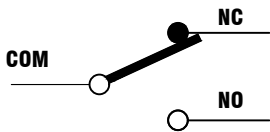
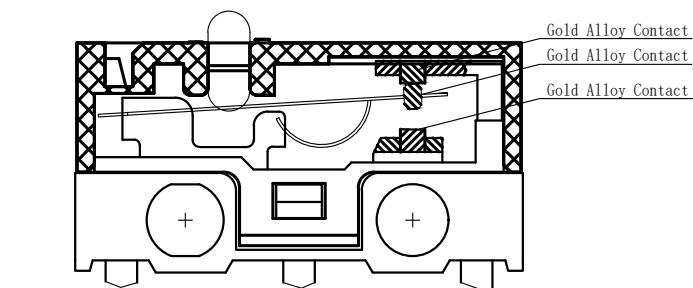


( Left )



GENERAL CHARACTERISTICS

Operating Force	Max. 45gf
Release Force	Min. 10gf
Contact Resistance	Max. 50mΩ
Insulation Resistance	Min. 100MΩ 500VDC
Dielectric Voltage	AC500V 60 Sec.
Mechanical Life	1,000,000 Cycles
Rating (UL/ENEC Certified)	0.1(0.1)A, 125/250VAC 25,000 Cycles
Rating (Not UL/ENEC Certified)	50mA, 30VDC 200,000 Cycles
Operating Temperature	-25 to 125°C



Circuit Diagram

35 1 P  
Zhuhai/China  
2021 Year  
35 Week

The date code could be printed on each lateral side randomly

NO.	PARTS	MATERIALS
01	COVER	PBT 94V0
02	BASE	PBT 94V0
03	ACTUATOR	PBT 94V0
04	CONTACT	Au ALLOY
05	MOVING BLADE	COPPER BERYLLIUM
06	TERMINAL (COM)	SILVER PLATE BRASS
07	TERMINAL (NO)	SILVER PLATE BRASS
08	TERMINAL (NC)	SILVER PLATE BRASS
09	AUX. ACTUATOR	SUS

Further details please refer to technical specification TS-DG-00001.  
In case there are any deviations the drawing details have priority.



采埃孚电子(珠海)有限公司  
ZF Electronics (Zhuhai) Company Limited

3					制图: DRAW	H,QIN	2020.12.11	TOLERANCE UNLESS SPECIFIED	
2					设计: DESIGN	H,QIN	2020.12.11	WITHIN 1.5mm: ±0.1mm OVER 1.5mm: ±0.2mm	
1					审核: CHECKED	J.WANG	2020.12.16	材质: MATERIAL	系列 SERIES
记号 MARK.	变更内容 DEFINITION	修改 REVISE	核准 APPROVE	日期 DATE	批准: APPROVE	J.WANG	2020.12.16	单位: UNIT	料号: TITLE
								mm	DGG3-E4LC
								比例: SCALE	图号: DWG NO.
								1:1	DGG3-E4LC
								角法: PROJ.	张数: SHEET
									第1页, 共1页
									工程图 ENG. DWG
									版本: REV.
									A0

DG 0.1A微动开关/SUBMINIATURE SWITCH

DGG3-E4LC

图号:  
DWG NO. DGG3-E4LC

