

# DCJK SUBMINIATURE SWITCH

## DCJK subminiature switch

Special variant of the DC switch for special applications with sealed protection type IP67

- Models available for 120°C operating temperature
- Nominal currents up to 10 A at 12 VDC (on request)
- Optional adjustment with 2 mounting positions and various auxiliary actuators, which can also be retrofitted
- Wide variety of terminal types, 3 pedestal heights
- High contact stability with various application-specific contact materials
- 4 different switching points can be selected
- No UL/EN approval



## Technical specifications

<b>Series</b>	DCJK
<b>Contact configuration</b>	S.P.D.T., S.P.S.T.-N.O. or S.P.S.T.-N.C.
<b>Contact gap</b>	< 3 mm
<b>Switching voltage (max.)</b>	12 VDC
<b>Switching current</b>	0.005 to 3 A DC
<b>Operating force</b>	300 cN without auxiliary actuator depending on model
<b>Total travel</b>	Up to approx. 2.0 mm possible
<b>Mechanical life</b>	Up to 2 x 10 <sup>6</sup> operations
<b>Electrical life depending on load</b>	Up to 2 x 10 <sup>6</sup> operations
<b>Ambient temperature</b>	-40 to +85°C/120°C
<b>Model with leads</b>	-40 to +105°C

## Materials

<b>Housing</b>	PET/PA
<b>Actuator</b>	POM (T85), PA (T120)
<b>Auxiliary actuator</b>	Stainless steel or plastic
<b>Sealing gasket</b>	VQM
<b>Terminals</b>	CuZn silver-plated
<b>Leads</b>	Cu, PVC-sheathed
<b>Contacts</b>	AgNi AgPd (Crosspoint) AuAg (Crosspoint)

**Degree of protection** IP67  
**Switch interior**

## Terminal type

Type of terminal available off-the-shelf:

Solder terminal, straight

Connecting leads on actuator side

Connecting leads opposite actuator side

Types of connector available on request:

Welding terminal

Self cutting clamp connector

Solder terminal, lateral

PCB terminal 0.8 x 0.5 mm, straight

PCB terminal 0.6 x 0.5 mm, straight

## Auxiliary actuator

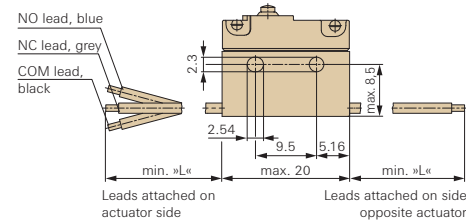
Switches in the DCJK family have two mountings for attaching auxiliary actuators. This, combined with the range of actuators available in the DC switch family and various operating points, means that a wide variety of operating forces and travel combinations are feasible. To find the perfect fit for your requirements, please contact us.

## Order code

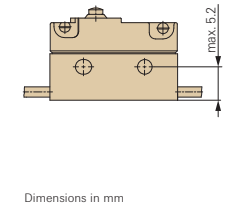
Order codes on request

## Switch options

Model with leads,  
8.1 mm from base to drill hole



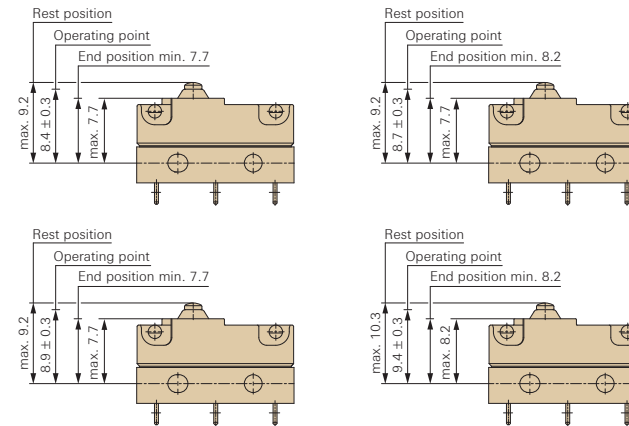
Model with leads,  
5.2 mm from base to drill hole



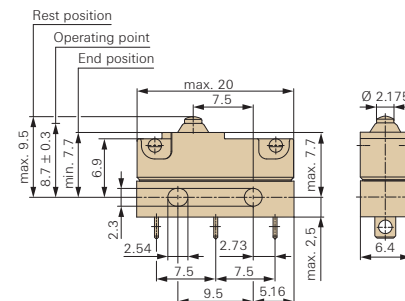
Dimensions in mm

## Switching point options

For customizing to individual requirements, switches in the DCJK family are available with four different switching points.



Dimensions in mm



Dimensions in mm