

Rocker Switch

Single Pole

TR Series



Features

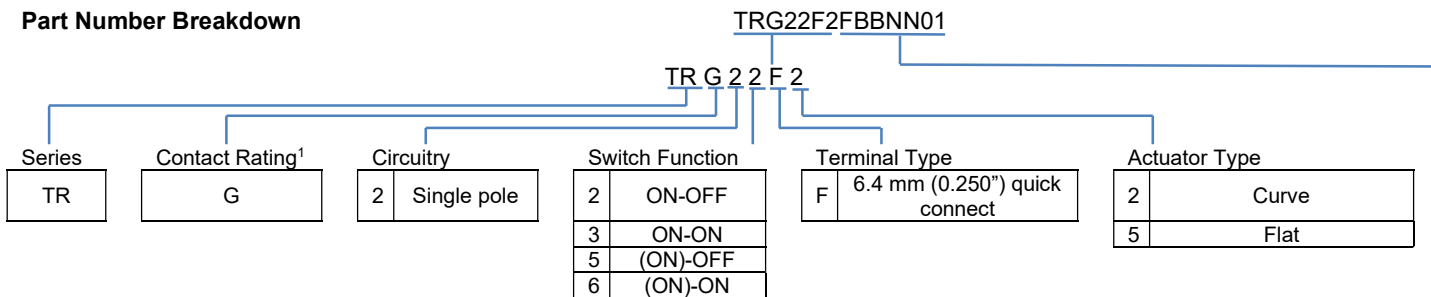
- Lighted & non-lighted versions available
- Maintained and momentary action
- 16 A switching in 11 mm wide packaging
- RoHS compliant
- Minimum 10,000 operations mechanical life

Standard Parts¹

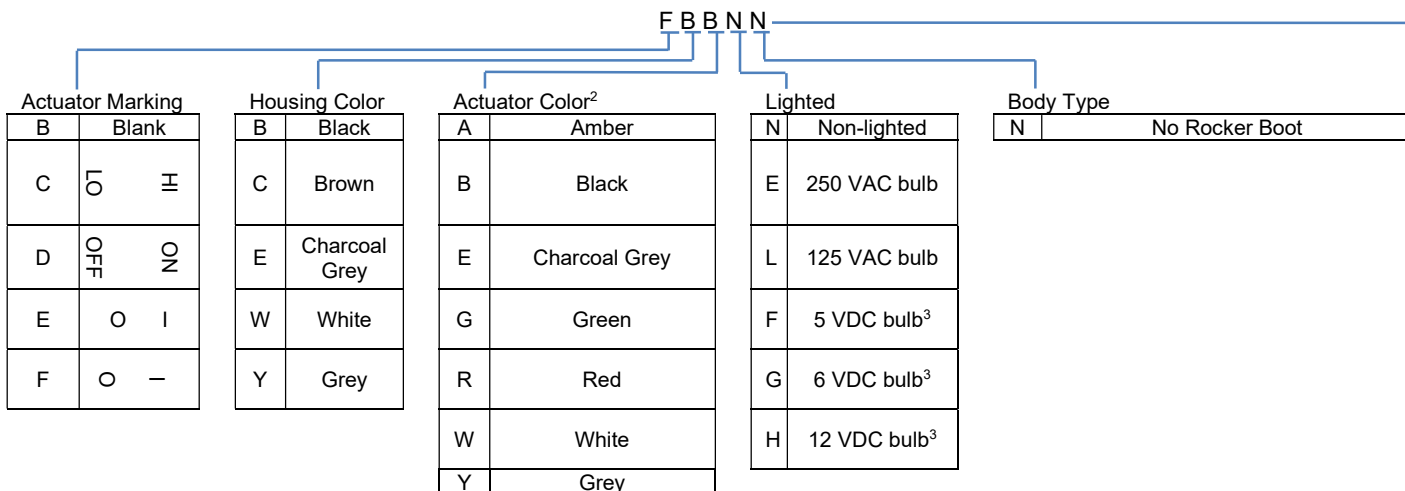
North America and Europe			Europe Only	
TRG22F2BBRLN	TRG22F2FBBNN	TRG22F2BBGEN	TRG22F2BBGLN	TRG22F2BBREN

¹The part number configuration matrix below provides details to the part numbers above. For configurable part numbers that are not listed above, contact the factory or your distributor.

Part Number Breakdown



¹See Electrical Specifications section



²Charcoal Grey, White, Grey not available for illuminated actuator

³Switches have no agency DC ratings



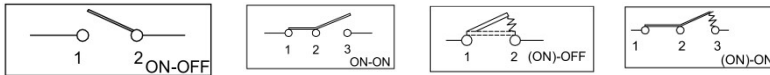
Electrical Specifications

Inrush Rating – 2 Position		48 A
Inrush Rating – 3 Position		24 A
Dielectric Strength		1000 VAC for 1 minute
Insulation Resistance		100 MΩ min at 500 VDC
Initial Contact Resistance		0.020 Ω max
Switch Function	ENECE15 Rating	UL 61058
All	16 (4) A 125 VAC / 250 VAC T125/55	16 (4) A 125 VAC / 250 VAC
Electrical Life at Rated Load Minimum Operations	ENECE15 10,000	UL61058 10,000
UL File No: E23301		

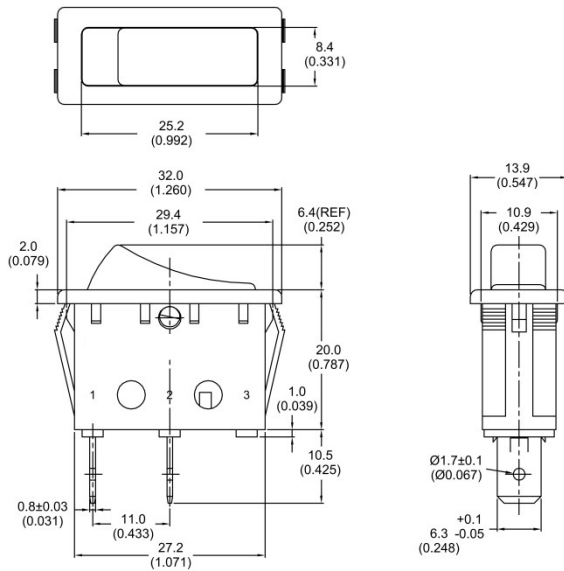
Material and Environmental Specifications

Actuator, non-lighted	Nylon 66 94V-2	
Actuator, lighted	Polycarbonate	
Base	Nylon 66 94V-2	
Spring	Steel Wire	
Contacts	Silver Alloy	
Movable Arm	Silver-Plated Copper Alloy	
Terminals	Silver-Plated Copper Alloy	
Operating Temperature Range	-20 °C to +85 °C (-4 °F to +185 °F)	

Circuitry and Switch Functions



Dimensions mm (inches)



NOTE: TOLERANCES UNLESS OTHERWISE SPECIFIED: ± 0.3 (0.012)

Recommended Panel Cut-Out Dimensions		
Panel thickness	X Dimension	Y Dimension
0.75 to 1.25 (0.030 to 0.049)	30.23 (1.19)	11.00 (0.433)
1.25 to 2.00 (0.049 to 0.079)	30.48 (1.20)	11.00 (0.433)
2.00 to 3.00 (0.079 to 0.118)	30.73 (1.21)	11.00 (0.433)

