

# SINGLE POLE ROCKER SWITCH



## SR Series

### Features

- 10 or 20 amp switching in a miniature package
- Single-throw and double-throw options
- Choice of actuator and housing color
- Variety of terminals available
- Industry-standard mounting dimensions
- Mechanical life: min. 100,000 operations

### Specifications

#### Electrical

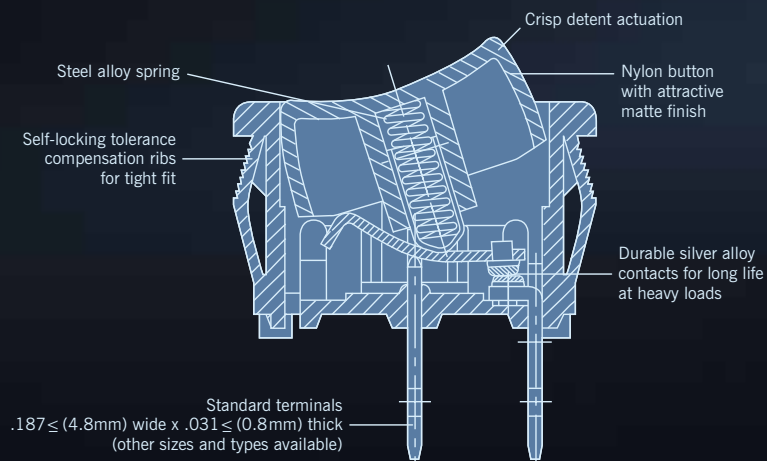
|                             |                                    |
|-----------------------------|------------------------------------|
| Dielectric Strength:        | 1000VAC for 1 minute               |
| Insulation Resistance:      | 10 <sup>8</sup> ohms min at 500VDC |
| Initial Contact Resistance: | 0.020 ohms max                     |
| Temperature Range:          | -20°C to +65°C                     |

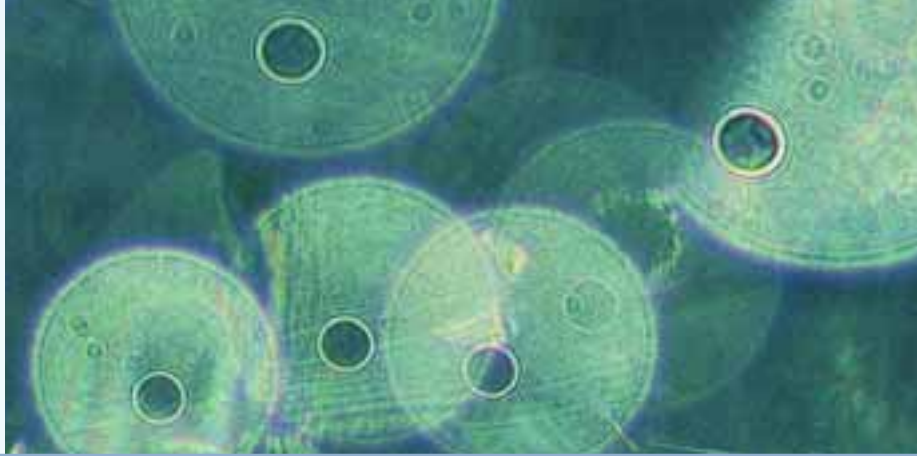
#### Materials

|              |                            |
|--------------|----------------------------|
| Actuator:    | Nylon 66 94V-2             |
| Case:        | Nylon 66 94V-2             |
| Spring:      | Steel Wire                 |
| Contacts:    | Silver or Copper Alloy     |
| Movable Arm: | Silver-Plated Copper Alloy |
| Terminals:   | Tin-Plated Copper Alloy    |

### Electrical Ratings

| Switch Series | EN61058 Rating      | UL1054 Rating                        | Electrical Life at Rated Load         |                                      |
|---------------|---------------------|--------------------------------------|---------------------------------------|--------------------------------------|
|               |                     |                                      | According to VDE<br>(Min. Operations) | According to UL<br>(Min. Operations) |
| SR            | 10(4)A, 250V~, μT85 | 20A, 125VAC; 10A, 125VAC; 6A, 250VAC | 10,000                                | 6,000                                |





## Examples of Common Part Numbers and Descriptions inches (mm)

| Part Number  | Circuitry | Switch Function | Terminal Type                 | Actuator/Housing Color | Legend Marking |
|--------------|-----------|-----------------|-------------------------------|------------------------|----------------|
| SRB22A2FBBNN |           | On - Off        | 0.187 (4.80)<br>Quick-Connect | Black/Black            |                |
| SRB22A2BBBNN |           | On - Off        | 0.187 (4.80)<br>Quick-Connect | Black/Black            |                |
| SRB22A2DBBNN |           | On - Off        | 0.187 (4.80)<br>Quick-Connect | Black/Black            |                |
| SRB23A2BBBNN |           | On - On         | 0.187 (4.80)<br>Quick-Connect | Black/Black            |                |
| SRB24A2HBBNN |           | On - Off - On   | 0.187 (4.80)<br>Quick-Connect | Black/Black            |                |

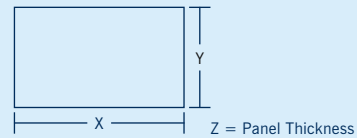
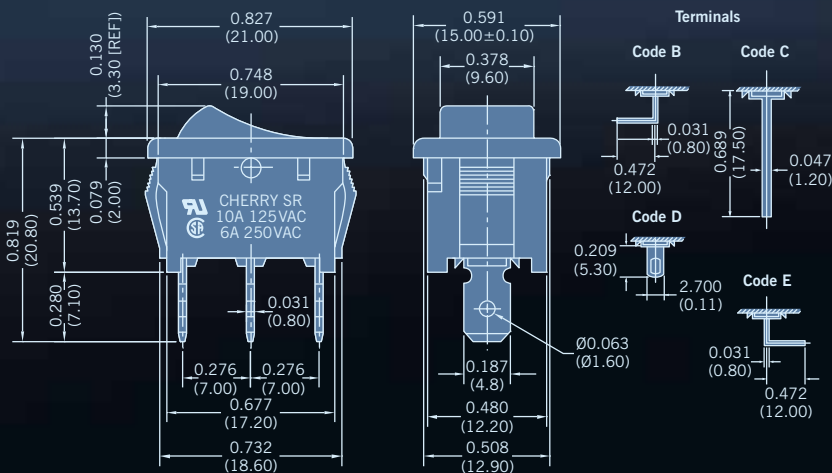
Boot #0015-0644

## Ordering Information

| SR            | B   | 2                                       | 4           | A                      | 2           | H                       | B           | B                    | N             | N                                      |                    |  |
|---------------|---|---|-------------|------------------------|-------------|-------------------------|-------------|----------------------|---------------|--|--------------------|--|
| <b>Series</b> | <b>Code</b>   | <b>Circuitry</b>                        | <b>Code</b> | <b>Switch Function</b> | <b>Code</b> | <b>Actuator Type</b>    | <b>Code</b> | <b>Housing Color</b> | <b>Code</b>   | <b>Lighted</b>                         |                    |  |
|               | 2   | Single-Pole                             | 2           | On - Off               | 2           | Curve                   | B           | Black                | N             | Non-Lighted                            |                    |  |
| <b>Code</b>   | <b>Contact Rating</b>   |   | 3           | On - On                | <b>Code</b> | <b>Actuator Marking</b> |             | W                    | White         | <b>Code</b>                            | <b>Splashproof</b> |  |
| B             | 10A, 125VAC<br>6A, 250VAC (UL, CSA)<br>10(4)A, 250V~, $\mu$ T85 (VDE) |   | 4*          | On - Off - On          | B           | Blank                   | C           | LO                   | HI            | N                                      | No Rocker Boot     |  |
| J             | 20A, 125VAC (UL, cUL)   |   | 5*          | (On) - Off             | D           | OFF                     | NO          | D                    | OFF           | S                                      | Waterproof Boot    |  |
|               | <b>Code</b>   | <b>Terminal Type inches (mm)</b>        |             | E*                     | O           | I                       |             | E*                   | Charcoal Grey | *No Agency Approvals for these options |                    |  |
|               | A   | 0.187 (4.8) QC                          |             | F                      | O           | -                       |             | B                    | Black         |  |                    |  |
|               | B   | PC Thru-Hole Left Angle                 |             | G                      | O           | .                       |             | R                    | Red           |  |                    |  |
|               | C   | PC Thru-Hole Straight                   |             | H*                     | I           | O                       | II          | W                    | White         |  |                    |  |
|               | D   | 0.185 x 0.106 (4.7 x 2.7)<br>Solder Tag |             |                        |             |                         |             | Y                    | Grey          |  |                    |  |
|               | E   | PC Thru-Hole Right Angle                |             |                        |             |                         |             | C*                   | Brown         |  |                    |  |
|               |   |   |             |                        |             |                         |             | E*                   | Charcoal Grey |  |                    |  |
|               |   |   |             |                        |             |                         |             | G                    | Green         |  |                    |  |
|               |   |   |             |                        |             |                         |             | D                    | Orange        |  |                    |  |
|               |   |   |             |                        |             |                         |             | U                    | Blue          |  |                    |  |
|               |   |   |             |                        |             |                         |             | M                    | Yellow        |  |                    |  |

Specifications subject to change without notice.

## Dimensions inches (mm)



## Recommended Panel Cut-Out Dimensions

inches (mm)

| Dim. Z                           | Dim. X           | Dim. Y           |
|----------------------------------|------------------|------------------|
| 0.030 to 0.049<br>(0.75 to 1.25) | 0.752<br>(19.10) | 0.508<br>(12.90) |
| 0.049 to 0.079<br>(1.25 to 2.00) | 0.760<br>(19.30) | 0.508<br>(12.90) |
| 0.079 to 0.118<br>(2.00 to 3.00) | 0.775<br>(19.76) | 0.508<br>(12.90) |