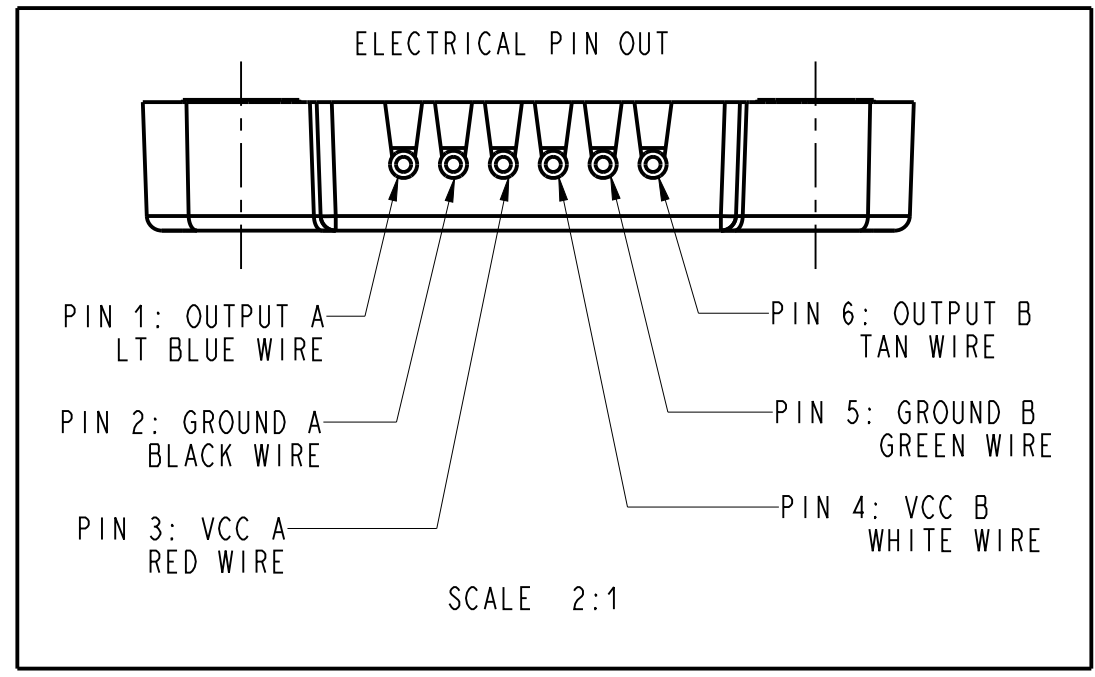
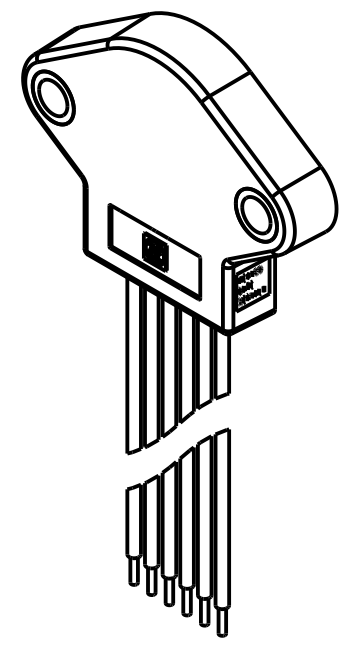
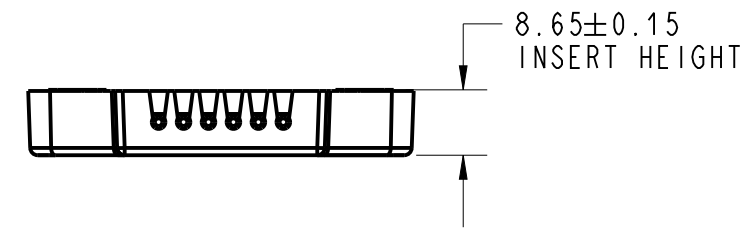
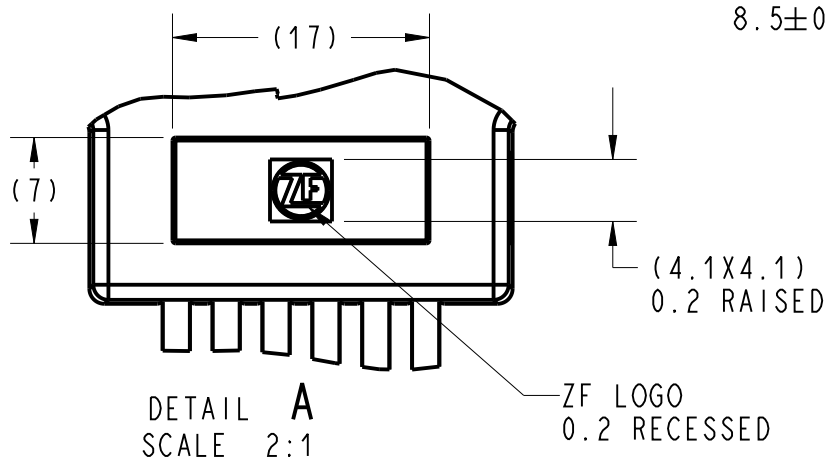
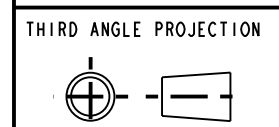


SENSOR OUTPUT SIGNAL
(TYPICAL BASED ON 5V SUPPLY)
DISCONTINUITY POINT A AT ~ 270°
DISCONTINUITY POINT B AT ~ 90°

- NOTES:
- RECOMMENDED FASTENER: M5 SCREW
 - RECOMMENDED TORQUE: 3.96 N.m [35 lbs.in] (CLASS 5.8, DRY)
 - REFERENCE ZF ELECTRONIC SYSTEMS PRODUCT SPECIFICATION PSPEC-00072 FOR PRODUCT CHARACTERISTICS NOT SPECIFIED ON THIS DRAWING.
 - ALL SENSOR'S ARE 100% FUNCTIONALLY TESTED.
 - OPERATING TEMPERATURE RANGE: -40°C TO +125°C
 - (D)** LASE MARKING INFORMATION:
MEXICO
ZF ELECTRONIC SYSTEMS DATE CODE AND TESTER I.D. (YR/WK/-A, B OR C)
SERIAL NUMBER (4 DIGITS)
 - RoHS COMPLIANT PART.
 - PROGRAM LABEL INFORMATION: (LABEL COLOR ORANGE)
ZF ELECTRONIC SYSTEMS PART NUMBER 0°-180°
 - PROGRAM LABEL LOCATION:
25.4-38.1mm (1" TO 1-1/2") FROM END OF HOUSING ON TAN WIRE.
 - THIS PRODUCT IS SOLD UNDER THE ZF BRAND.



DWN: C. MORALES
APVD: CH. YTRI
DATE: 01-Jun-10



PROJECT/ CSR
10-0029/B

CONFIDENTIAL AND PROPRIETARY:
ALL INFORMATION OR INVENTIONS CONTAINED IN THIS DOCUMENT OR DERIVED FROM THE INFORMATION THEREIN IS OWNED BY ZF ELECTRONIC SYSTEMS, AND IS CONFIDENTIAL AND PROPRIETARY. REVIEW OR POSSESSION OF THIS DOCUMENT INDICATES AGREEMENT THAT SUCH INFORMATION AND INVENTIONS WILL NOT BE DISCLOSED, REPRODUCED OR OTHERWISE USED IN ANY WAY WITHOUT EXPRESS WRITTEN PERMISSION FROM AN AUTHORIZED REPRESENTATIVE OF ZF ELECTRONIC SYSTEMS.



ZF Electronic Systems

PLEASANT PRAIRIE, WISCONSIN U.S.A.

NAME / DESCRIPTION
AN9 DUAL OUTPUT W/WIRES, (0° -180°)

ITEM NO. **AN920031**

SCALE: 1:1 SH 1 OF 1

D	Z000522920	09-Oct-19	RJC	TB
REV	ECO NO.	DATE	PREP	APVD

TOLERANCE UNLESS SPECIFIED			
DWG UNITS	X.X	X.XX	ANGLES
mm	± 0.3	± 0.10	± 1.0°

ORIGINAL ON PRO/E