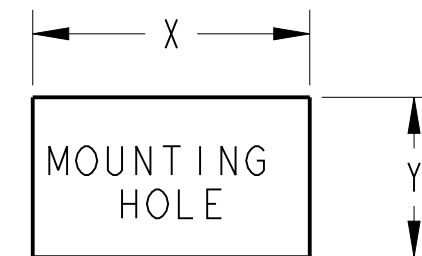
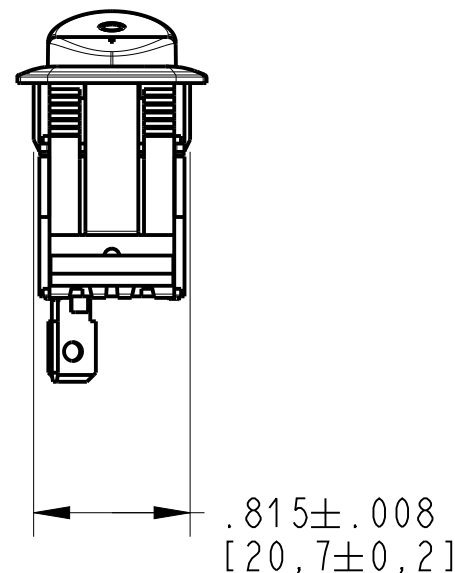
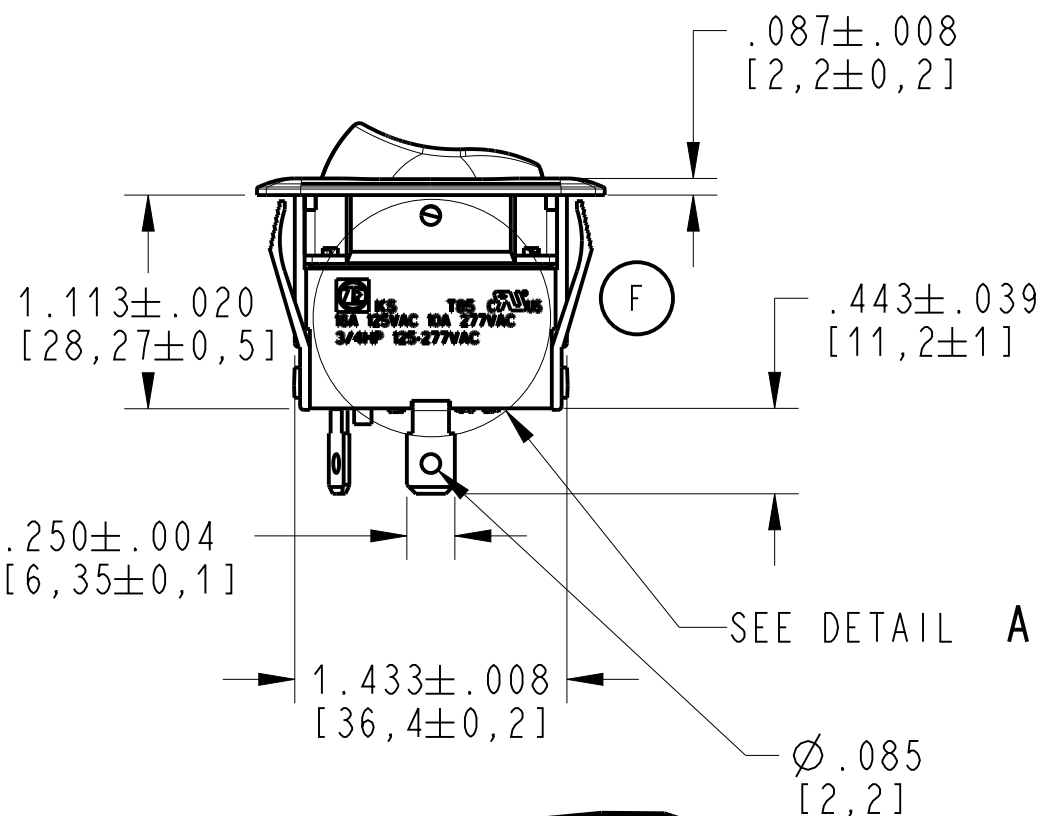


RATING: 16A 125VAC, 10A 277 VAC
 3/4 HP, 125/277 VAC

- (F) UL ENDURANCE RATING: 6000 CYCLES
- INITIAL CONTACT RESISTANCE: 50 mΩ (MAX)
- (F) INSULATION RESISTANCE: 500VDC 100 MΩ (MIN)
- DIELECTRIC STRENGTH: 1500VAC FOR 1 MINUTE.
- WATERPROOF: IP56 CAPABLE

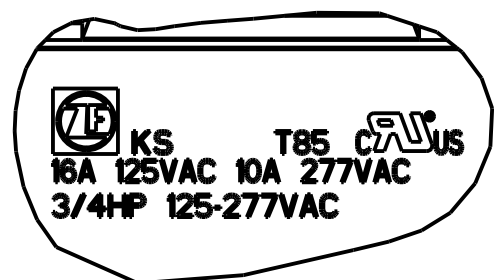
RECOGNIZED TO U.S. AND CANADIAN REQUIREMENTS
 UNDER THE COMPONENT RECOGNITION PROGRAM
 OF UNDERWRITERS LABORATORIES, INC.

DATE CODE FORMAT: YYWW



Z = PANEL THICKNESS

DIM. Z	DIM. X	DIM. Y
.030 TO .049 [0.75 TO 1.25]	1.441 ± .004 [36.6 ± 0.1]	.835 ± .004 [21.2 ± 0.1]
.049 TO .079 [1.25 TO 2.00]	1.449 ± .004 [36.8 ± 0.1]	.835 ± .004 [21.2 ± 0.1]
.079 TO .118 [2.00 TO 3.00]	1.457 ± .004 [37.0 ± 0.1]	.835 ± .004 [21.2 ± 0.1]



DETAIL A
 SCALE 2:1

DWN: J DOLNIK
 APVD: JR
 DATE: 20-May-08

THIRD ANGLE PROJECTION

PROJECT/ CSR
 4000000138

CONFIDENTIAL AND PROPRIETARY:
 ALL INFORMATION OR INVENTIONS CONTAINED IN THIS
 DOCUMENT OR DERIVED FROM THE INFORMATION THERE
 IN IS OWNED BY ZF ELECTRONIC SYSTEMS, AND IS
 CONFIDENTIAL AND PROPRIETARY. REVIEW OR
 POSSESSION OF THIS DOCUMENT INDICATES AGREEMENT
 THAT SUCH INFORMATION AND INVENTIONS WILL NOT BE
 DISCLOSED, REPRODUCED OR OTHERWISE USED IN ANY
 WAY WITHOUT EXPRESS WRITTEN PERMISSION FROM AN
 AUTHORIZED REPRESENTATIVE OF ZF ELECTRONIC
 SYSTEMS.



ZF Electronic Systems

11200 88th AVE. PLEASANT PRAIRIE, WI 53158

NAME / DESCRIPTION

KS-SPST ON-OFF NON-LIGHTED

ITEM NO. KSF2ANB1BDD

SCALE: 1:1 SH 1 OF 1

REV	ECO NO.	DATE	PREP	APVD
F	Z000374409	22-Aug-16	GP	EL

TOLERANCE UNLESS SPECIFIED			
DWG UNITS	X.XX	X.XXX	ANGLES
INCH	± 0.02	± 0.012	± 5.0°

ORIGINAL ON PRO/E