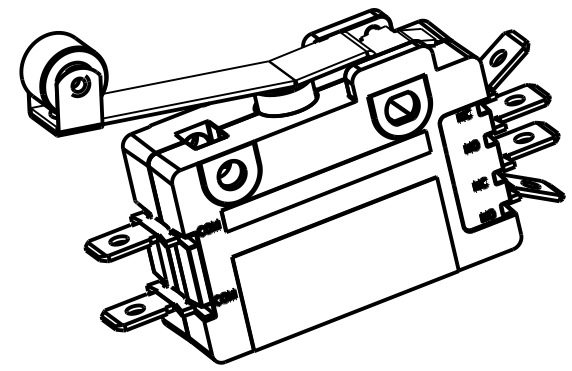


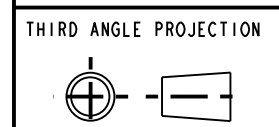
- NOTES UNLESS OTHERWISE SPECIFIED:
- SWITCH CHARACTERISTICS:
 PRETRAVEL ----- .312 MAX.
 OPERATING POSITION ---- .834 TO 1.003
 OVERTRAVEL ----- .156 MIN.
 MOVEMENT DIFFERENTIAL -- .045 MAX.
 EACH POLE
 OPERATING FORCE grams-- 425 MAX.
 RELEASE FORCE grams----- 57 MIN.

- ALL CHARACTERISTICS ARE TAKEN AT THE ACTUATION LINE AND MEASURED FROM THE REFERENCE LINE.
- ELECTRICAL RATINGS:
 20 AMPS 125/250 VAC
 1 H.P. 125 VAC;
 2 H.P. 250 VAC.
 - TERMINALS ARE: .250 WIDE X .032 THICK.
 - RECOGNIZED TO U.S. AND CANADIAN REQUIREMENTS UNDER THE COMPONENT RECOGNITION PROGRAM OF UNDERWRITERS LABORATORIES, INC.
 - TEMPERATURE RATING: -40° TO 105°C.



SHOWN IN A NON CLINCHED STATE
SCALE 1.000

DWN: KAA
 APVD: CJD
 DATE: 12-Dec-96



CONFIDENTIAL AND PROPRIETARY:
 ALL INFORMATION OR INVENTIONS CONTAINED IN THIS DOCUMENT OR DERIVED FROM THE INFORMATION THEREIN IS OWNED BY ZF ELECTRONIC SYSTEMS, AND IS CONFIDENTIAL AND PROPRIETARY. REVIEW OR POSSESSION OF THIS DOCUMENT INDICATES AGREEMENT THAT SUCH INFORMATION AND INVENTIONS WILL NOT BE DISCLOSED, REPRODUCED OR OTHERWISE USED IN ANY WAY WITHOUT EXPRESS WRITTEN PERMISSION FROM AN AUTHORIZED REPRESENTATIVE OF ZF ELECTRONIC SYSTEMS.



ZF Electronic Systems

PLEASANT PRAIRIE, WISCONSIN U.S.A.

NAME / DESCRIPTION
SPECIFICATION DRAWING

D	Z000457786	21-May-18	JPD	ELL
REV	ECO NO.	DATE	PREP	APVD

PROJECT/ CSR
 N/A

TOLERANCE UNLESS SPECIFIED			
DWG UNITS	X.XX	X.XXX	ANGLES
INCHES	± 0.02	± 0.015	± 5.0°

B ITEM NO. 0E20-00K0
 SCALE: 2.000 SH 1 OF 1

ORIGINAL ON PRO/E