

NOTES: (UNLESS OTHERWISE SPECIFIED):

RATING TO BE MARKED ON ROCKERS:

**US** 16A, 125/250 VAC 1/4HP  
**US** 16A, 250VAC 1/4HP  
 3/4HP 250 VAC.

**US** 16(4)A 125/250V~

**(B)** 16(4)A, 250VAC T125/55 10E3

DIELECTRIC WITHSTAND VOLTAGE: 1500VAC FOR 1 MINUTE.

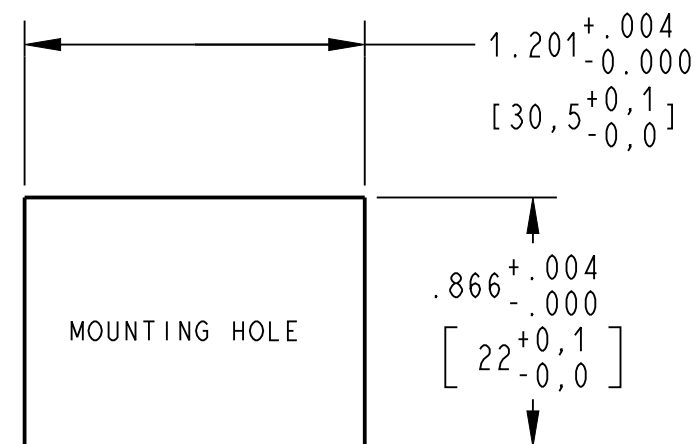
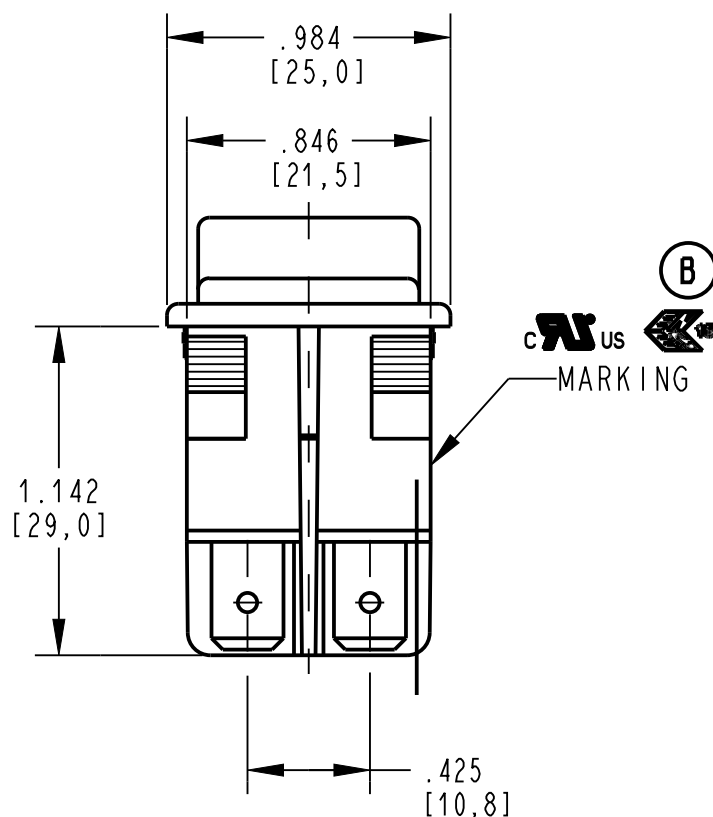
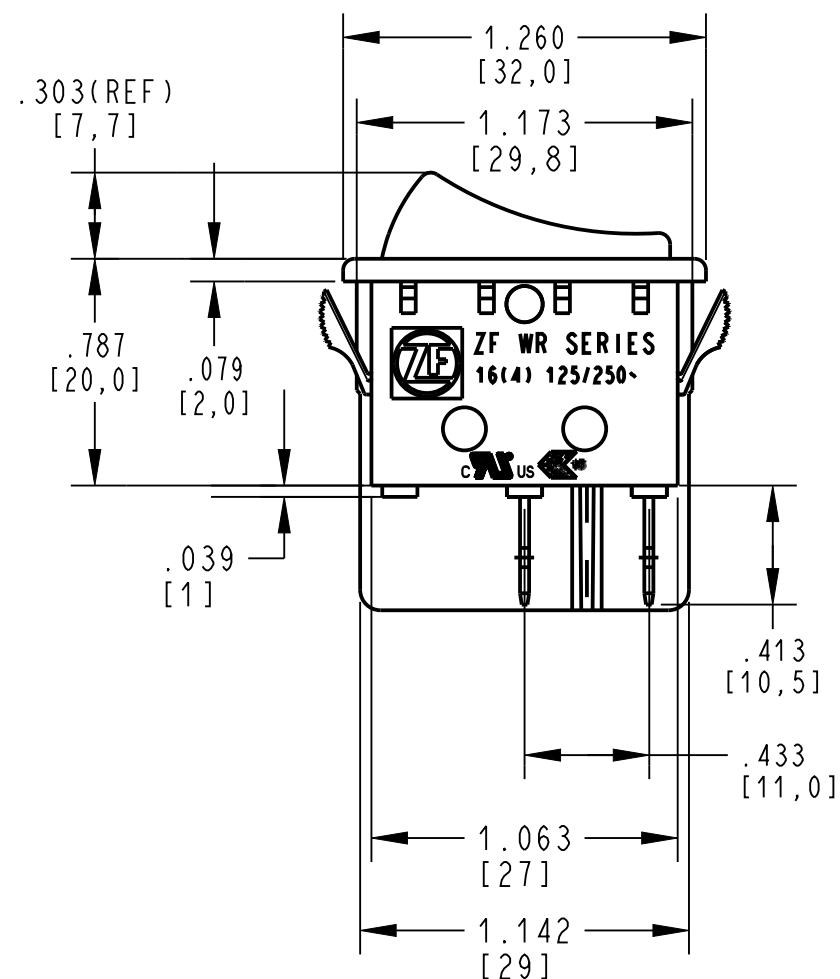
INSULATION RESISTANCE: 100M  $\Omega$  MIN. AT 500 VDC

INITIAL CONTACT RESISTANCE: 20m  $\Omega$  MAX.

TERMINALS: .031 $\pm$ .001 [0,8 $\pm$ 0,03] X .248 $\pm$ .004 / -.002 [6,3 $\pm$ 0,1 / -0,05]

HOLE  $\phi$ .067 $\pm$ .004 [1,7 $\pm$ 0,1]

ILLUMINATION 100~125 VAC.



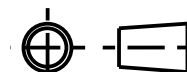
RECOMMENDED PANEL THICKNESS  
 .030 TO .049  
 [0,75~1,25]

DWN: JPD

APVD: ELL

DATE: 06-Dec-17

THIRD ANGLE PROJECTION



PROJECT/ CSR

N/A

CONFIDENTIAL AND PROPRIETARY:  
 ALL INFORMATION OR INVENTIONS CONTAINED IN THIS DOCUMENT OR DERIVED FROM THE INFORMATION THEREIN IS OWNED BY ZF ELECTRONIC SYSTEMS, AND IS CONFIDENTIAL AND PROPRIETARY. REVIEW OR POSSESSION OF THIS DOCUMENT INDICATES AGREEMENT THAT SUCH INFORMATION AND INVENTIONS WILL NOT BE DISCLOSED, REPRODUCED OR OTHERWISE USED IN ANY WAY WITHOUT EXPRESS WRITTEN PERMISSION FROM AN AUTHORIZED REPRESENTATIVE OF ZF ELECTRONIC SYSTEMS.



ZF Electronic Systems

PLEASANT PRAIRIE, WISCONSIN U.S.A.

NAME / DESCRIPTION

WRG SERIES DPST, QC, LIGHTED

B ITEM NO. WRG32F2FBGLN

SCALE: N/A SH 1 OF 1

TOLERANCE UNLESS SPECIFIED

DWG UNITS	X.XX	X.XXX	ANGLES
INCHES	$\pm$ 0.02	$\pm$ 0.012	$\pm$ 5.0°

B	Z000724324	2-29-2024	TCH	ELL
REV	ECO NO.	DATE	PREP	APVD