

# Sub-Subminiature Switch



## DJ series

### Features

- Sealed switch up to protection IP67, suitable for actuations at angles up to 40° depending on slide partner material, etc.
- Easy installation thanks to connector pins or fastening slot
- Smallest dimensions
- Models available for up to 85 °C operating temperature
- Nominal currents 5 mA to 2 A at 12 V DC
- High contact stability with AuAg crosspoint contacts
- Mechanical operating life min. 500,000 operations
- Many connection possibilities, also with leads

### Standard parts

For specific part numbers, please contact the factory: [switches-sensors@zf.com](mailto:switches-sensors@zf.com)

### Order Code Matrix

DJ	1	G	- AN	A0
switch-type	electr.rating (ohmic load)	contact configuration	terminals and location posts	auxiliary actuator
DJ	1 = 0,010 /2A 12 VDC	G= <i>single pole double throw</i>  E= <i>single pole single throw normally open</i>  F= <i>single pole single throw normally closed</i>	AN = <i>solder terminals, straight 2,5 x 0,5 without posts</i>  AR = <i>solder terminals, straight 2,5 x 0,5 right hand posts</i>  AL = <i>solder terminals, straight 2,5 x 0,5 left hand posts</i>  BN = <i>PCB terminals, straight 0,6 x 0,5 without posts</i>  BR = <i>PCB terminals, straight 0,6 x 0,5 right hand posts</i>  BL = <i>PCB terminals, straight 0,6 x 0,5 left hand posts</i>	A0= <i>without auxiliary actuator</i>

### Electrical rating

Code	Rating	Electrical life
1	0.005 – 2 A DC, 12 V	min. 100,000 operations

## Environmental and Mechanical Specifications

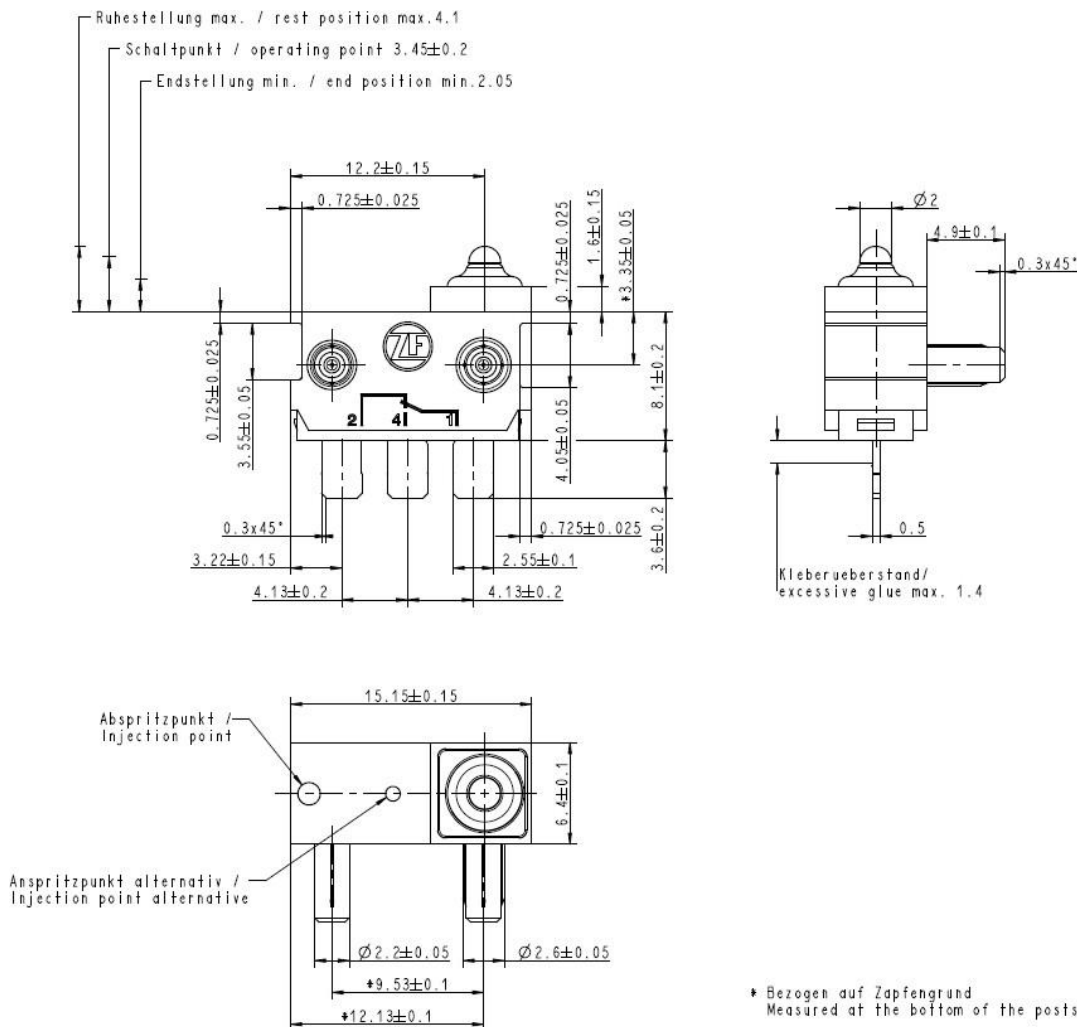
Operating force	max. 120 cN
Mechanical life	Min. 500,000 operations
Temperature range	-40 to +85 °C
Protection class	IP67

## Material Specifications

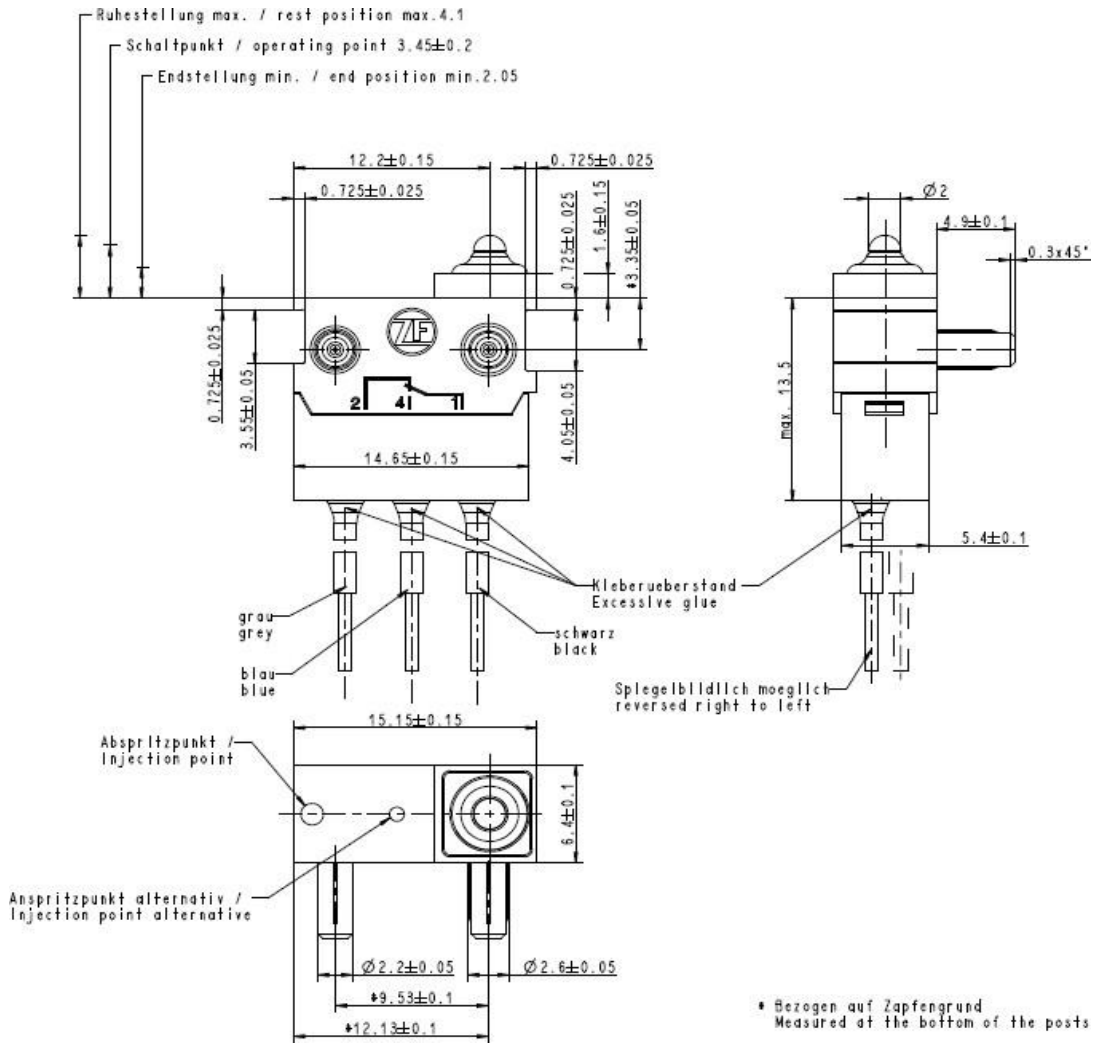
Base	PBT/PES
Cover	PBT + ASA + PET
Actuator	POM
Sealing gasket	VMQ
Terminals	CuZn silver-plated
Contacts	AuAg (crosspoint)

## Dimensions in mm

### DJ short

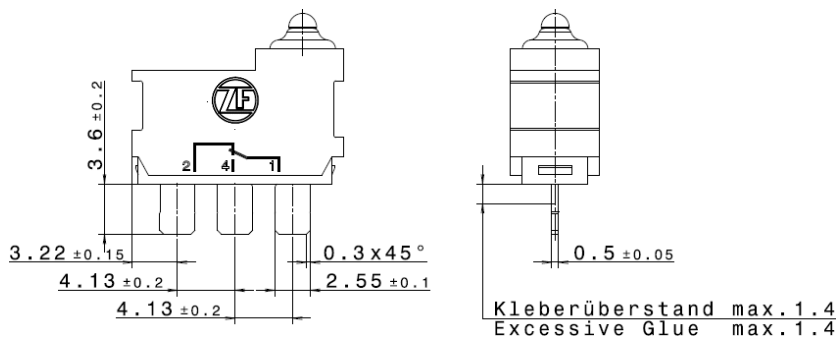


## DJ long



## Terminals

### Solder Terminal



## PCB Terminal Straight

