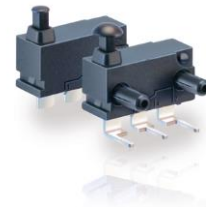


Sub-Subminiature Switch



DR series

Features

- Available with mushroom or panhead actuator for many actuation possibilities, degree of protection IP40
- Temperature range -40 °C to +85 °C/105 ° C
- Nominal currents 5 mA up to 2 A at 12 V DC
- Auxiliary actuator on request
- High contact stability thanks to AuAg crosspoint
- Mechanical life min. 1x10⁶ operations
- Various connection possibilities

Standard parts

For specific part numbers, please contact the factory: switches-sensors@zf.com

Order Code Matrix

DR	1		P		- CR		A0	
<i>swich-type</i>	<i>Electrical rating (ohmic load)</i>		<i>contact configuration</i>		<i>terminals and location posts</i>		<i>auxiliary actuator</i>	
DR	1 =	0,010 / 2A 12VDC	P=	<i>Single pole double throw (mushroom head)</i>	AN =	<i>solder terminals, 2,5 x 0,5 without posts</i>	A0 =	<i>without auxiliary actuator</i>
			R=	<i>single pole double throw (flat head)</i>	AL =	<i>solder terminals, 2,5 x 0,5 left hand posts</i>		
					AR =	<i>solder terminals, 2,5 x 0,5 right hand posts</i>		
					BN =	<i>PCB terminals, straight 0,6 x 0,5 without posts</i>		
					BL =	<i>PCB terminals, straight 0,6 x 0,5 left hand posts</i>		
					BR =	<i>PCB terminals, straight 0,6 x 0,5 right hand posts</i>		
					CR =	<i>PCB terminals, right 0,6 x 0, 5 right hand posts</i>		
					DL=	<i>PCB terminals, left 0,6 x 0,5 left hand posts</i>		

Electrical rating

Code	Rating	Electrical life
1	0.005 – 2 A DC 12 V	min. 100,000 operations

Environmental and Mechanical Specifications

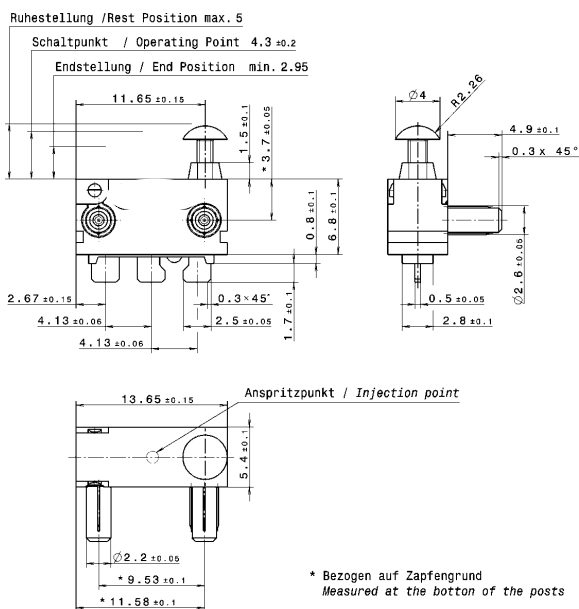
Operating force	max. 75 cN without auxiliary actuator
Mechanical life	Min. 1x 10 ⁶ operations
Temperature range	-40 °C to +85 °C/105 °C
Protection class	IP40

Materials

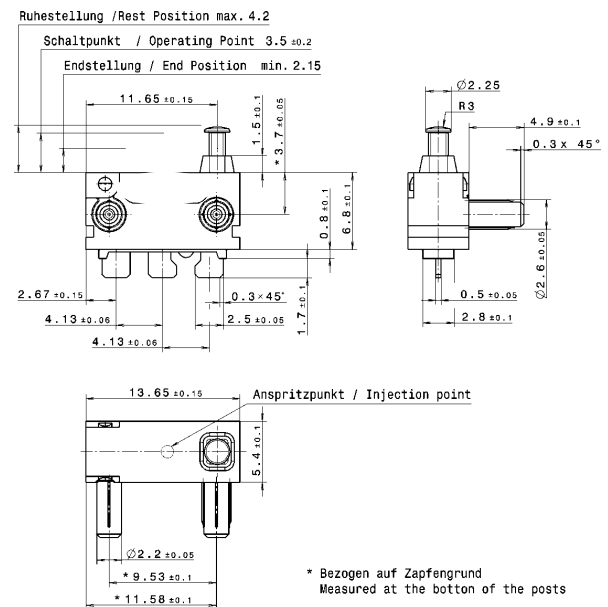
Base	PBT/PES
Cover	PBT
Actuator	PES/POM
Auxiliary actuator	Stainless steel
Terminals	CuZn silver-plated
Contacts	AuAg (Crosspoint)

Dimensions in mm

DR with mushroom shaped head

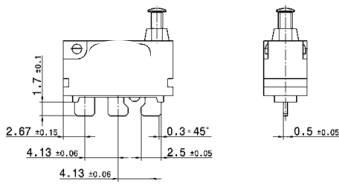


DR with flat head

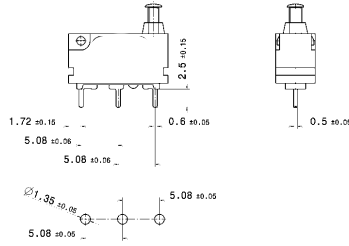


Terminal Configurations

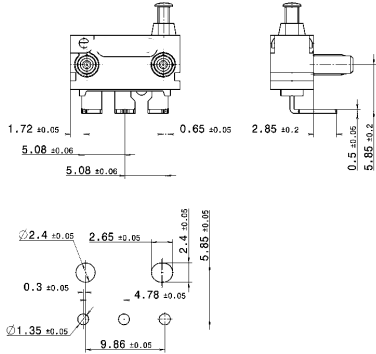
Solder terminal, short:



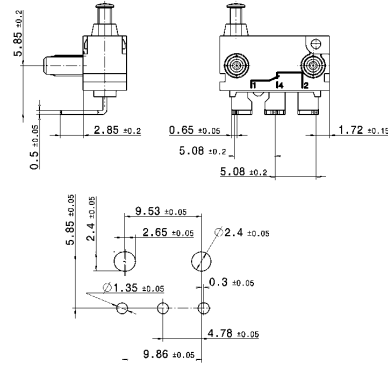
PCB-terminal: 0.6 x 0.5 straight, short:



PCB-terminal: 0.65 x 0.5 right side:



PCB-terminal 0.65 x 0.5 left side:



Auxiliary Actuators

Ruhestellung / Rest Position max. 7.8

Schaltpunkt / Operating Point 6.2 ±0.6

Endstellung / End Position min. 3.8

Messpunkt / Measuring point

