

DETAIL A  
SCALE 2:1

NOTES:

1. RATING TO BE MARKED ON HOUSING

16A, 125VAC  
10A, 250VAC



(H) 10(4)A, 250VAC ~ μ T85/55 10E3

2. INITIAL CONTACT RESISTANCE: 50m Ω (MAX)

3. INSULATION RESISTANCE: 500 VDC 100M Ω (MIN)

4. DIELECTRIC STRENGTH: 1500 VAC FOR 1 MINUTE.

5. WATERPROOF: IP65 CAPABLE. RUBBER SILICONE COLOR: BLACK

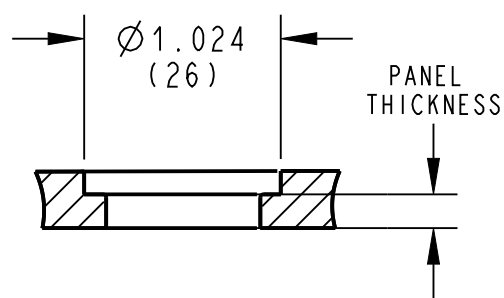
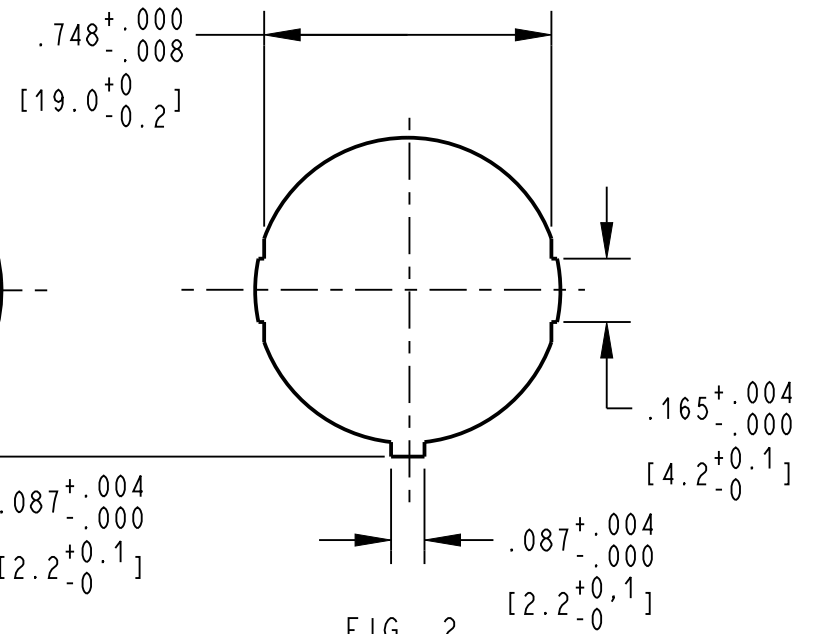
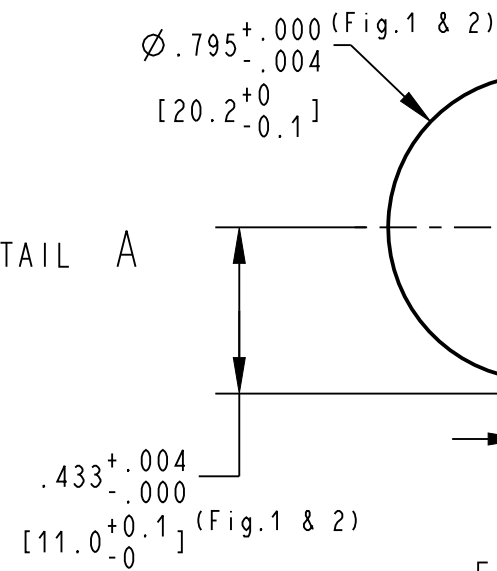
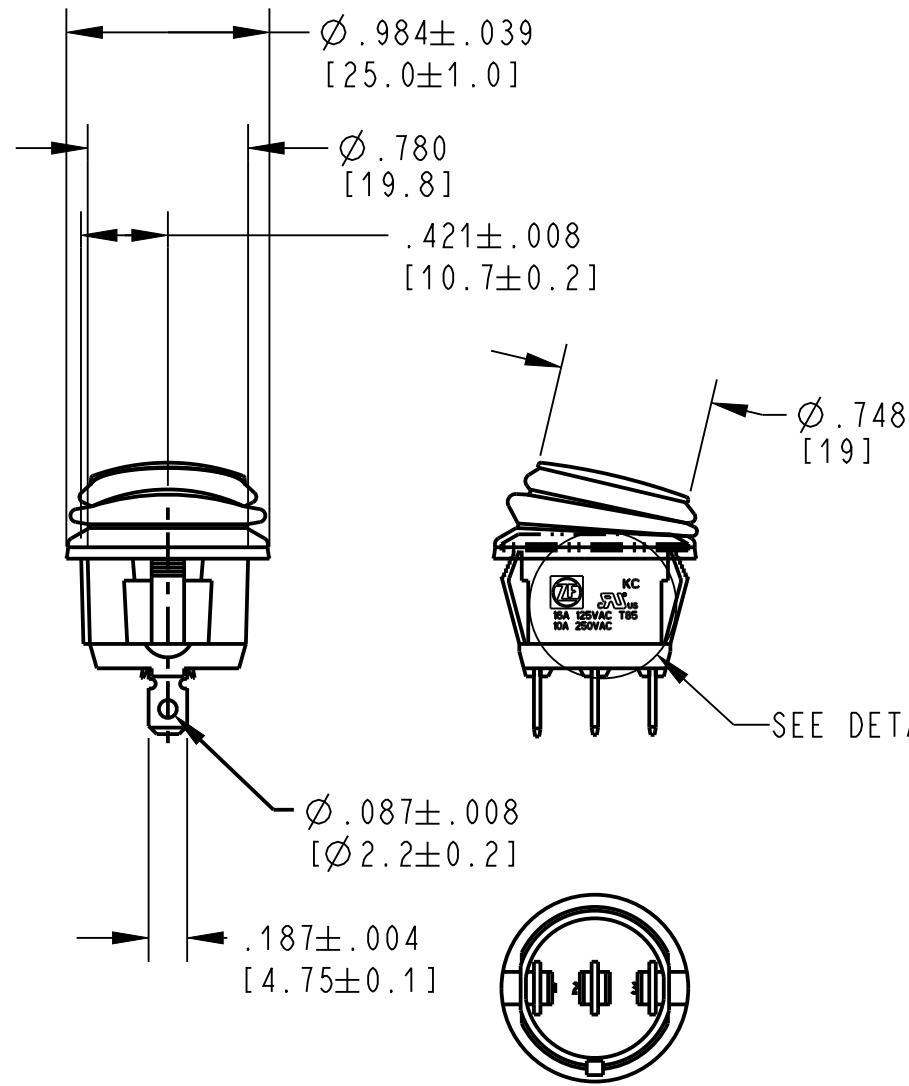
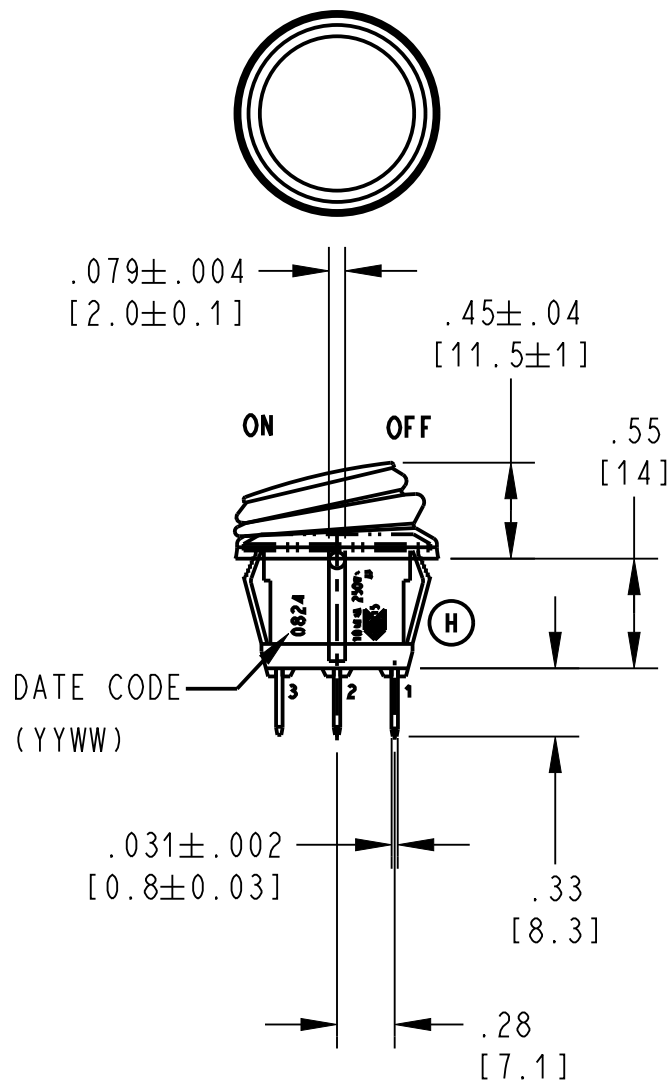
6. OPERATION TEMPERATURE: -25°C TO +85°C

7. LIGHTED: DEPENDENT; NEON BULB RATED AT 110VAC.

8. ACTUATOR: RED CLEAR

9. TERMINALS: SILVER-PLATED, COPPER ALLOY #3 (FOR LAMP) IS BRASS CLEAN.

MOUNTING HOLES



MOUNTING HOLES	
FIG.	PANEL THICKNESS
1	.059 TO .098 [1.5 TO 2.5]
2	.028 TO .098 [0.7 TO 2.5]

H	Z000766945	2025-01-16	ELL	ELL
REV	ECO NO.	DATE	PREP	APVD

DWN:	C. RAMOS
APVD:	J. RUMMELHART
DATE:	16-Jun-08
THIRD ANGLE PROJECTION	
PROJECT/ CSR	N/A

CONFIDENTIAL AND PROPRIETARY: ALL INFORMATION OR INVENTIONS CONTAINED IN THIS DOCUMENT OR DERIVED FROM THE INFORMATION THERE IN IS OWNED BY ZF ELECTRONIC SYSTEMS, AND IS CONFIDENTIAL AND PROPRIETARY. REVIEW OR POSSESSION OF THIS DOCUMENT INDICATES AGREEMENT THAT SUCH INFORMATION AND INVENTIONS WILL NOT BE DISCLOSED, REPRODUCED OR OTHERWISE USED IN ANY WAY WITHOUT EXPRESS WRITTEN PERMISSION FROM AN AUTHORIZED REPRESENTATIVE OF ZF ELECTRONIC SYSTEMS.			
TOLERANCE UNLESS SPECIFIED			
DWG UNITS	X.XX	X.XXX	ANGLES
INCHES (mm)	± 0.02	± 0.012	± 5 °

ZF Electronic Systems	
PLEASANT PRAIRIE, WISCONSIN U.S.A.	
NAME / DESCRIPTION	
KC-SPST ON-OFF LIGHTED	
B	ITEM NO. KCA2ALA2RBB
SCALE:	1:1 SH 1 OF 1

ORIGINAL ON PROJE