

# General Purpose Switch

## GP Series



### Features

- Ultra-small travel differential
- Mechanical life tested to over 20 million cycles
- Current ratings up to 20 Amps
- Wide variety of actuators
- Screw or solder terminals available
- VDE standard on 15 A switches with screw terminals
- **Cadmium** contacts for high load requirements

### Standard Parts

GPTCLS11	GPTBLS11	GPTCNH11	GPTBNH11	GPTCRH11	GPTBRH11	GPTCLS01
GPTCNH01	GPTCRM01	GPTCRM11	GPTCRS01	GPTCRS11	GPTCNC11	GPTBNC11

### Electrical Specifications / Contact Ratings

Contact	UL508	VDE Approval EN60947
GP*B	20 A 250 VAC	N/A
GP*C	15 A 250 VAC	15 A 250 VAC (only screw terminals)

### Environmental and Mechanical Specifications

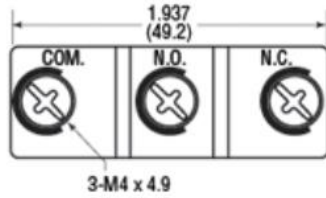
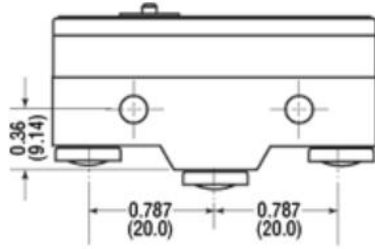
Operating force	2.5 to 23 cN (depending on variant)
Mechanical life	up to 20 M cycles
Temperature range	0 °C to + 55 °C (UL), -5 °C to +40 °C (VDE)

### Material Specifications

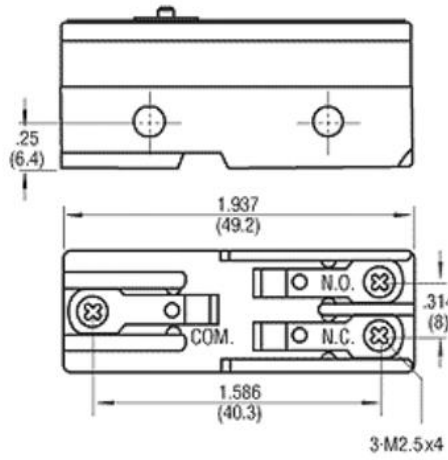
Housing / Cover	Phenolic
Spring	Beryllium Copper
Contacts	Silver Alloy
Terminals	Screw Terminals: Brass, Solder Terminals: Copper Alloy
Lever Actuator	Nickel-plated steel

## Dimensions (mm) and terminal configurations

### Terminal Types

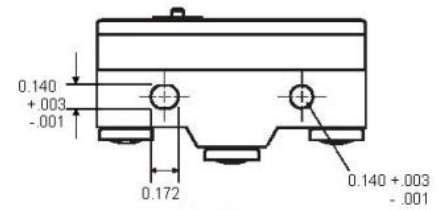


Screw Terminal

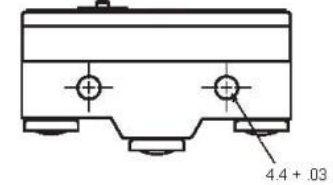


Solder Terminal

### Mounting Holes

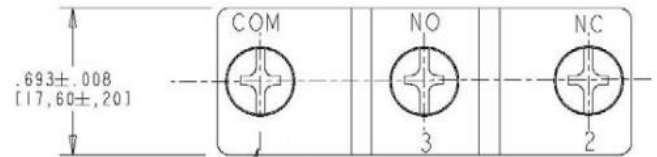
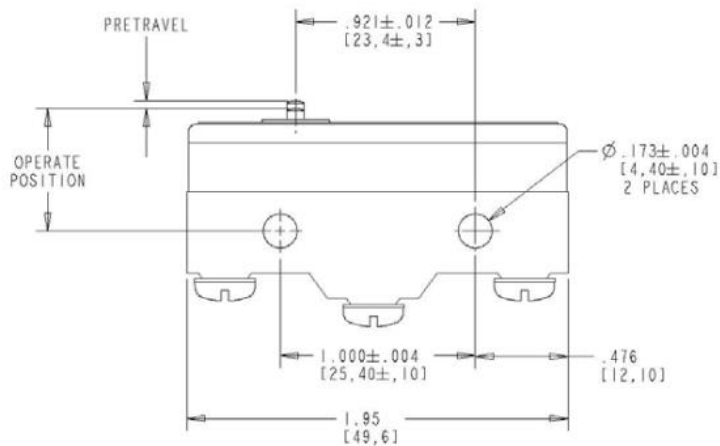


U.S. Version

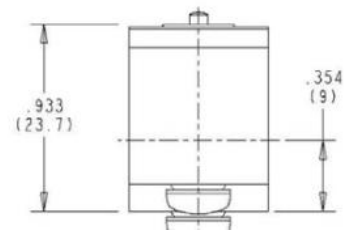


Metric Version

### Dimensions inches(mm)



Terminal callouts may also be listed numerically



Note: GP Series switches are available with screw or solder terminals and with U.S. or metric holes  
 For solder terminals, replace the "T" in the third position of the part number with an "S" (e.g. GPSCNA11 was GPTCNA11)

For metric holes, replace the "1" in the seventh position with a "0" (e.g. GPTCNA01 was GPTCNA11)

	Part Number	Operating Force Maximum (oz)	Release Force Minimum (oz)	Pretravel Maximum inches (mm)	Operating Point Min/Max inches (mm)	Overtravel Minimum inches (mm)	Movement Differential Maximum inches (mm)	Mounting Hole	Terminal Type
	GPTCLS11	2.5	0.5	0.394 (10.00)	0.716 / 0.780 (18.20 / 19.80)	0.220 (5.61)	0.050 (1.27)	U.S.	Screw
	GPTBLS11	2.8	0.5	0.394 (10.00)	0.716 / 0.780 (18.20 / 19.80)	0.220 (5.61)	0.050 (1.27)	U.S.	Screw
	GPTCNH11	12.3	4	0.016 (0.41)	0.826 / 0.890 (20.98 / 22.60)	0.217 (5.51)	.002 (0.05)	U.S.	Screw
	GPTBNH11	22.9	7.1	0.028 (0.70)	0.826 / 0.890 (21.00 / 22.60)	0.217 (5.51)	0.008 (0.20)	U.S.	Screw
	GPTCRH11	12.3	4	0.016 (0.41)	1.27 / 1.36 (32.2 / 34.6)	0.141 (3.58)	0.016 (0.4)	U.S.	Screw
	GPTBRH11	22.9	7.1	0.028 (0.70)	1.268 / 1.362 (32.20 / 34.60)	0.141 (3.58)	0.008 (0.20)	U.S.	Screw
	GPTCLS01	2.5	0.5	0.394 (10.00)	0.716 / 0.780 (18.20 / 19.80)	0.220 (5.6)	0.050 (1.27)	Metric	Screw
	GPTCNH01	12.3	4	0.016 (0.41)	0.826 / 0.890 (20.98 / 22.60)	0.216 (5.5)	0.002 (0.05)	Metric	Screw
	GPTCRM01	5.6	1.5	0.106 (2.70)	1.17 / 1.21 (29.80 / 30.60)	0.094 (2.40)	0.020 (0.50)	Metric	Screw
	GPTCRM11	5.6	1.5	0.106 (2.70)	1.17 / 1.21 (29.80 / 30.60)	0.094 (2.40)	0.020 (0.50)	U.S.	Screw
	GPTCRS01	3.5	0.8	0.280 (7.10)	1.16 / 1.22 (29.40 / 31.00)	0.158 (4.00)	0.040 (1.02)	Metric	Screw
	GPTCRS11	3.5	0.8	0.280 (7.10)	1.16 / 1.22 (29.40 / 31.00)	0.158 (4.00)	0.040 (1.02)	U.S.	Screw
	GPTCNC11	12.3	4	0.016 (0.40)	0.826 / 0.866 (21.00 / 22.00)	0.063 (1.60)	0.002 (0.05)	U.S.	Screw
	GPTBNC11	23	7.1	0.028 (0.7)	0.826 / 0.866 (21.00 / 22.00)	0.062 (1.6)	0.007 (0.18)	U.S.	Screw