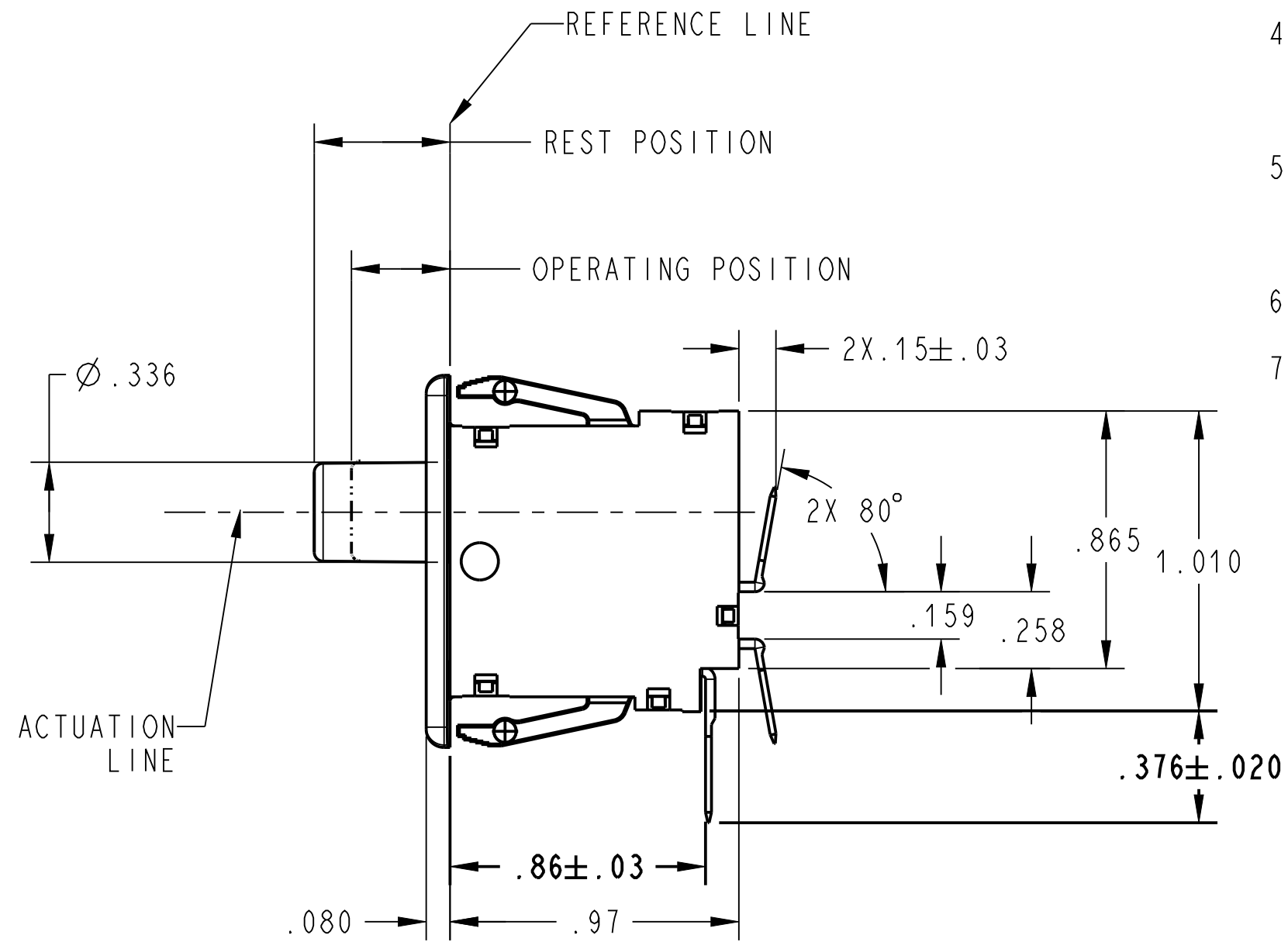
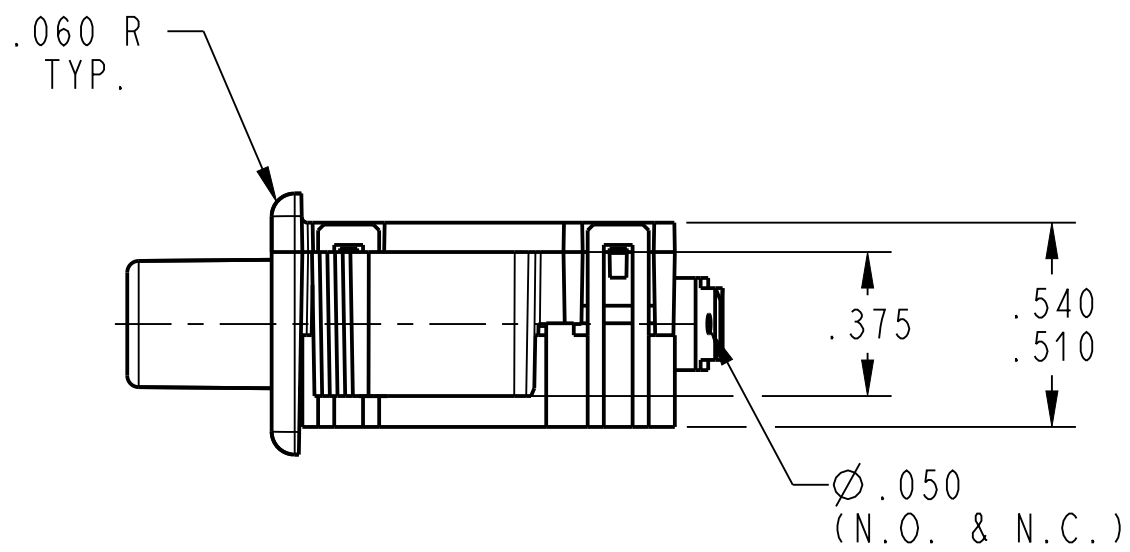
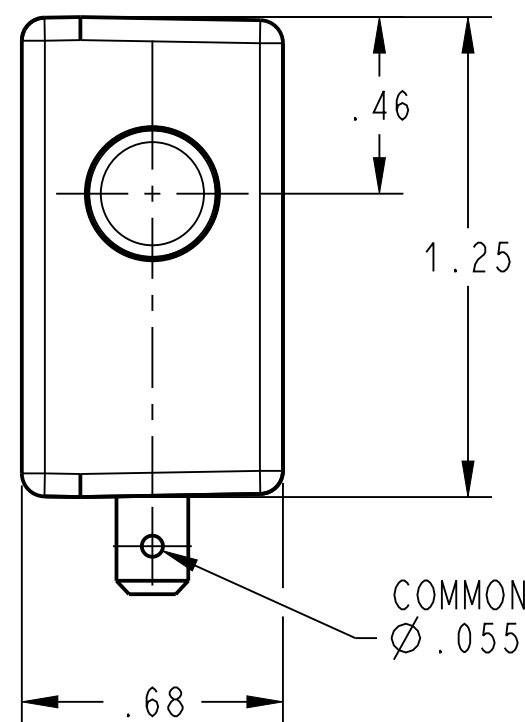


PANEL CUTOUT DETAIL
RECOMMENDED
PANEL THICKNESS
.045 - .100



NOTES: (UNLESS OTHERWISE SPECIFIED)

1. *SWITCH CHARACTERISTICS

REST POSITION .420 TO .480
PRE-TRAVEL .125 MAX.
OPERATING POSITION .300 TO .400
OVER TRAVEL .175 MIN
MOVEMENT DIFF. .045 MAX.
OPERATING FORCE grams 425 MAX.

BUTTON POSITION
AT FULL OVERTRAVEL .125 MAX.

ALL CHARACTERISTICS ARE TAKEN AT THE ACTUATION LINE AND MEASURED FROM THE REFERENCE LINE.

2. **UL** ELECTRICAL RATING

0.1 AMPS 125 VAC
0.1A, 30 VDC

3. TERMINALS:

ARE .187 WIDE x .020 THICKNESS.

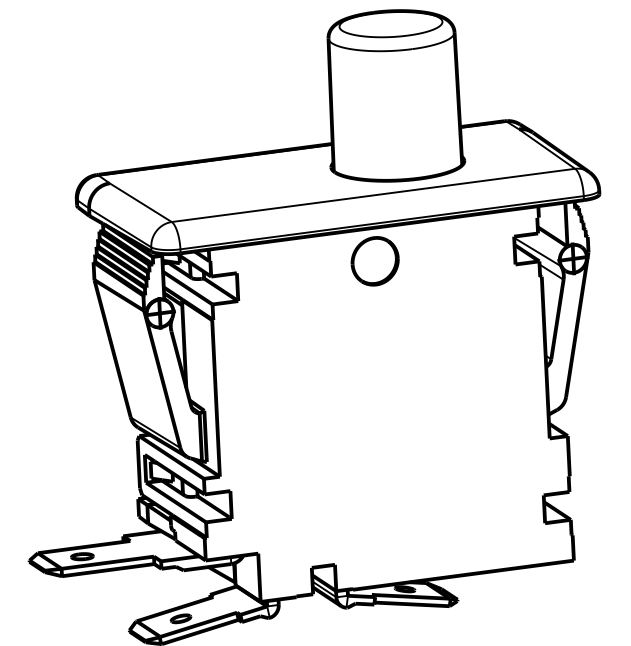
4. RECOGNIZED TO U.S. AND CANADIAN REQUIREMENTS UNDER THE COMPONENT RECOGNITION PROGRAM OF UNDERWRITERS LABORATORIES, INC.

5. COLORS:

FACEPLATE: WHITE
BUTTON: WHITE

6. TEMPERATURE RATING: -40°C TO +85°C

7. ELECTRICAL LIFE AT RATED LOAD: 100,000 CYCLES MARKED WITH (L).



DWN: KAA
APVD: ELL
DATE: 23Jun-94
THIRD ANGLE PROJECTION

TOLERANCE UNLESS SPECIFIED			
DWG UNITS	X.XX	X.XXX	ANGLES
INCH	± 0.02	± 0.015	± 5.0°

ZF ZF Electronic Systems
PLEASANT PRAIRIE, WISCONSIN U.S.A.
NAME / DESCRIPTION
SPECIFICATION DRAWING

F	Z000375228	09-Sep-16	JPD	ELL
REV	ECO NO.	DATE	PREP	APVD

PROJECT/ CSR
4000000138

C	ITEM NO.	0E6840A0
SCALE:	2:1	SH 1 OF 1

ORIGINAL ON PROJE