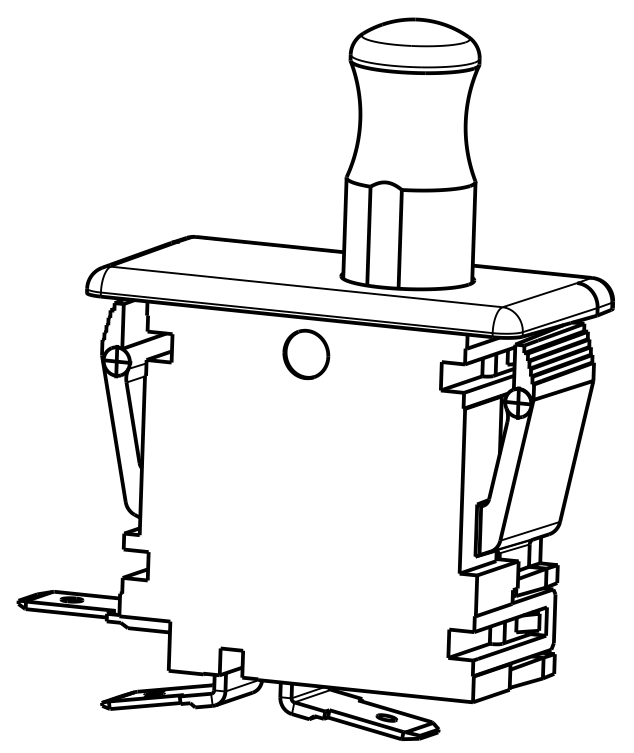
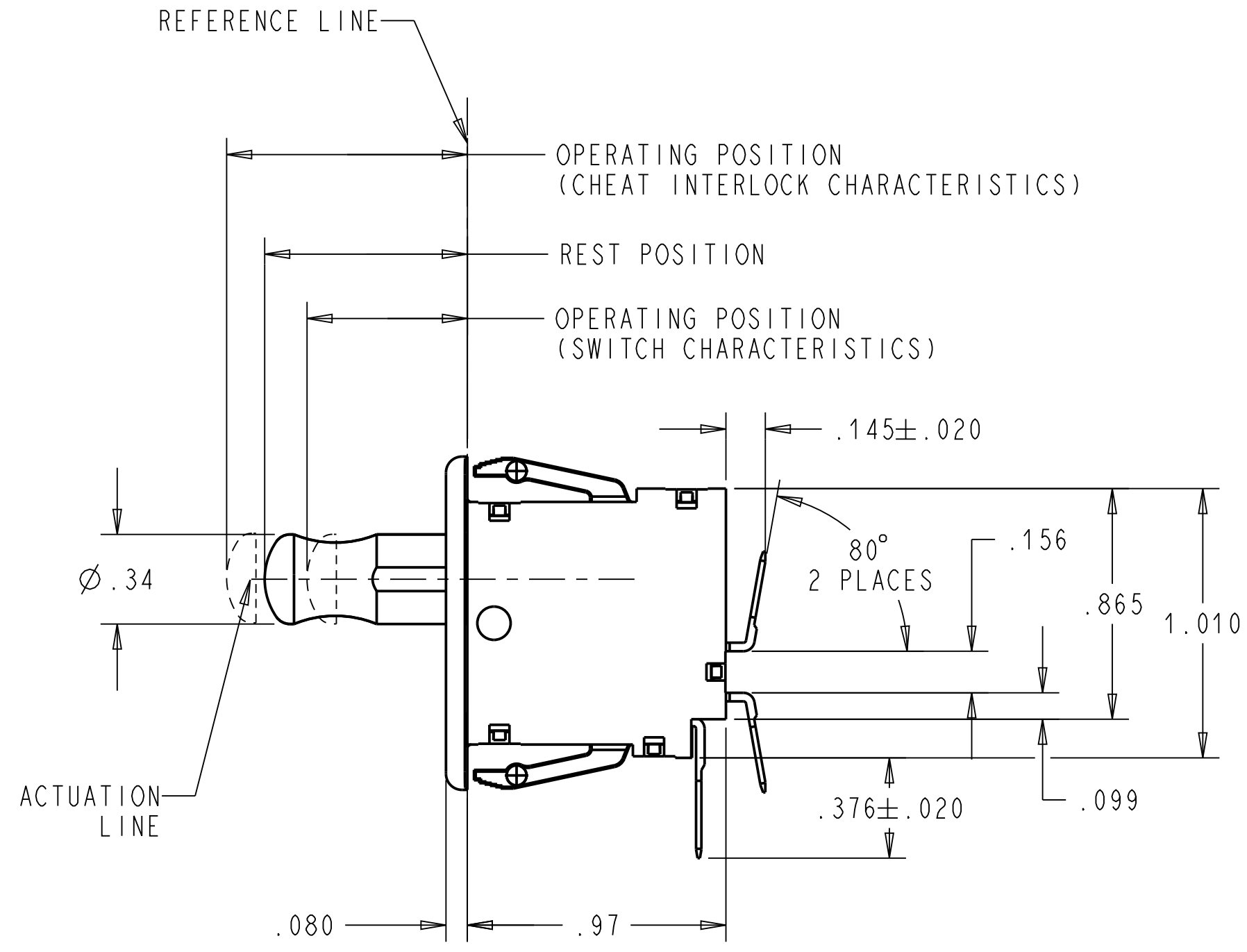
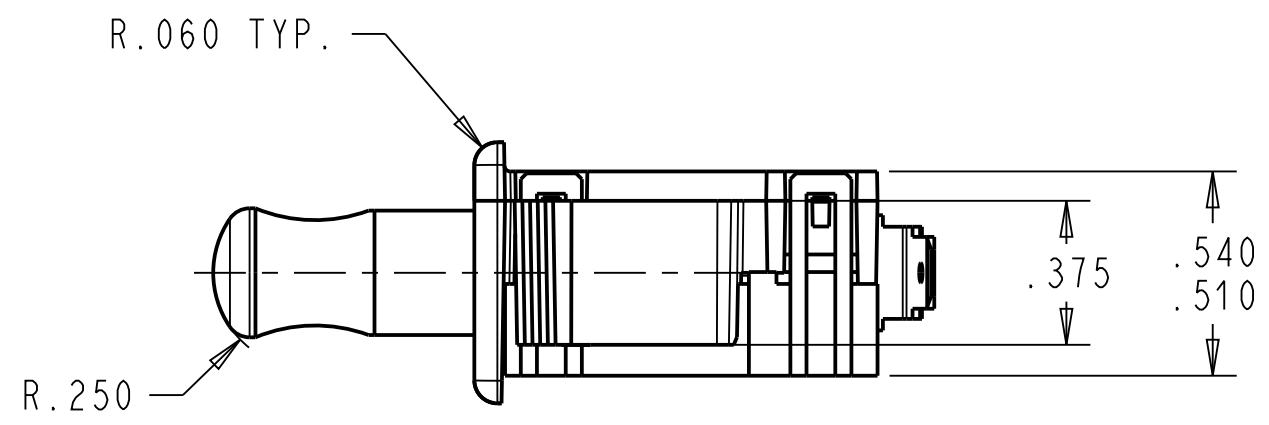
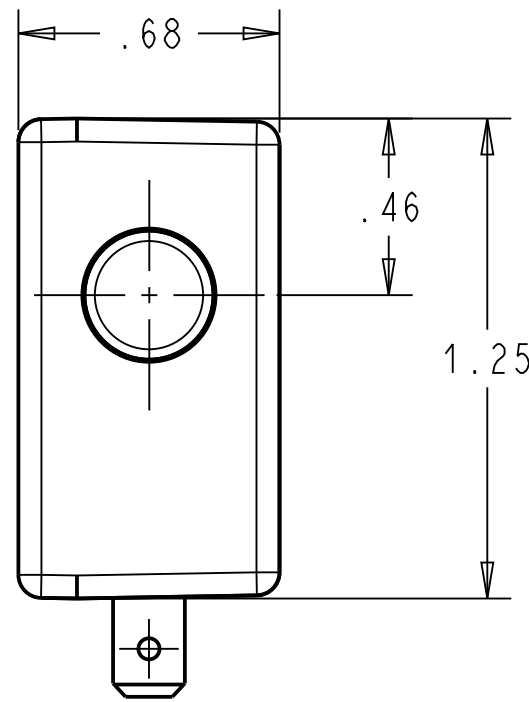


PANEL CUTOUT DETAIL
RECOMMENDED
PANEL THICKNESS
.045-.100



NOTES (UNLESS OTHERWISE SPECIFIED):

1. SWITCH CHARACTERISTICS:
- REST POSITION: .730 TO .790
 - PRETRAVEL: .125 MAX.
 - OPERATING POSITION: .610 TO .710
 - OVER-TRAVEL: .100 MIN.
 - MOVEMENT DIFF: .045 MAX.
 - OPERATING FORCE grams: 425 MAX.

BUTTON POSITION
AT FULL OVERTRAVEL: .520 MAX.

ALL CHARACTERISTICS ARE TAKEN AT THE ACTUATION LINE AND MEASURED FROM THE REFERENCE LINE.

CHEAT INTERLOCK CHARACTERISTICS

- REST POSITION: .730 TO .790
- PRETRAVEL: .125 MAX.
- OPERATING POSITION: .800 TO .900
- OVER-TRAVEL: .050 MIN.
- MOVEMENT DIFF: .060 MAX.
- FULL OVERTRAVEL: .980 MAX.
- OPERATING FORCE grams: 585 MAX.

2. **UL** ELECTRICAL RATING
10A, 125/250 VAC
1/3 HP, 125/250 VAC

10(4)A 250V, 50E3, 40T85

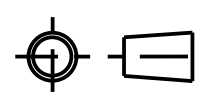
3. TERMINALS:
ARE .187 WIDTH x .020 THICKNESS.

4. -RECOGNIZED TO U.S. AND CANADIAN REQUIREMENTS
UNDER THE COMPONENT RECOGNITION PROGRAM OF
UNDERWRITERS LABORATORIES, INC.

5. TEMPERATURE RATING: -40°C TO +85°C

6. COLORS: FACEPLATE WHITE
BUTTON WHITE

DWN: J. DOLNIK
APVD: RC
DATE: 2016-08-29
THIRD ANGLE PROJECTION



PLEASANT PRAIRIE, WISCONSIN U.S.A.
NAME / DESCRIPTION

SPECIFICATION DRAWING

C	Z000375239	2025-03-25	JPD	ELL	PROJECT/ CSR	DWG UNITS	X.XX	X.XXX	ANGLES	C	ITEM NO.	0F69-65A0
REV	ECO NO.	DATE	PREP	APVD	4000000138	INCHES	± 0.02	± 0.015	± 5.0°	SCALE:	2:1	SH 1 OF 1

ORIGINAL ON PROJE