



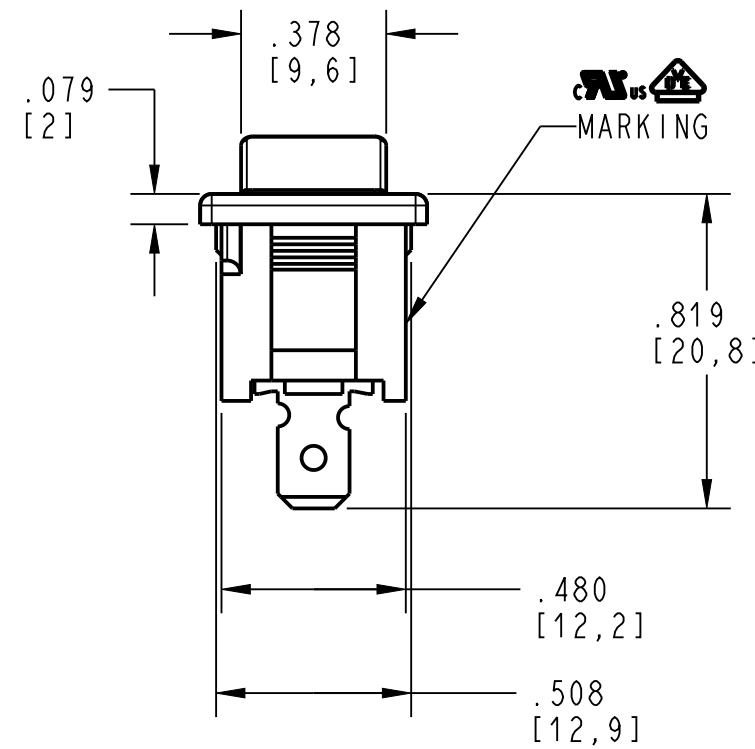
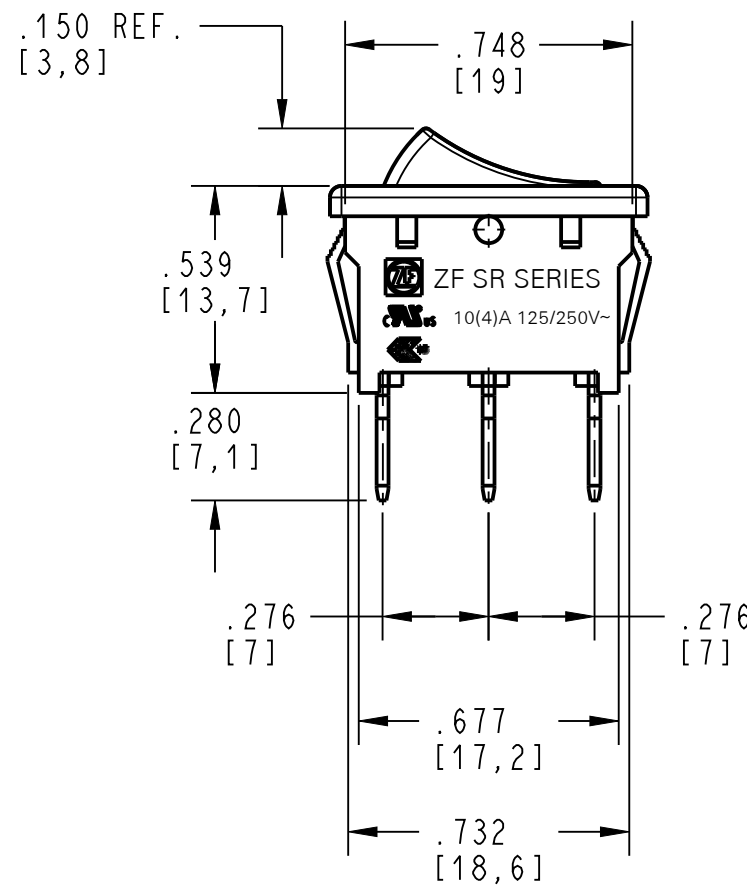
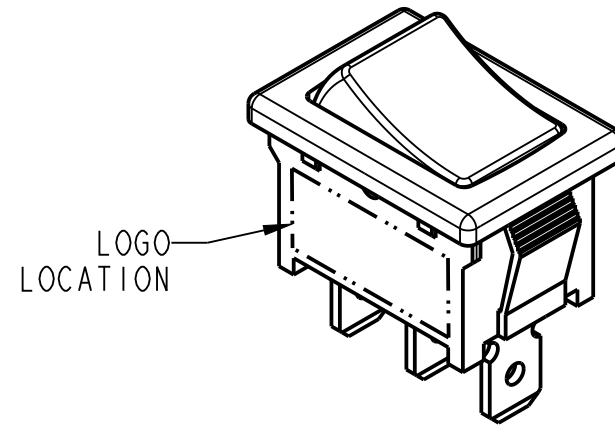
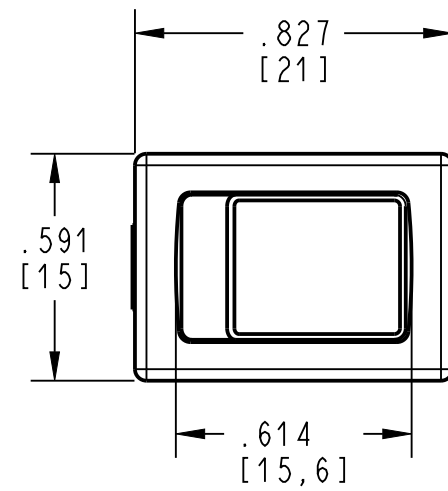


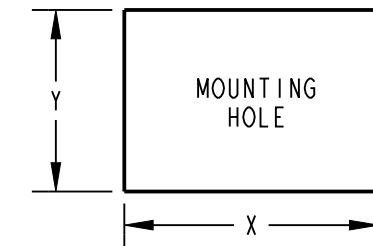
8 7 6 5 4 3 2 1

NOTES (UNLESS OTHERWISE SPECIFIED):

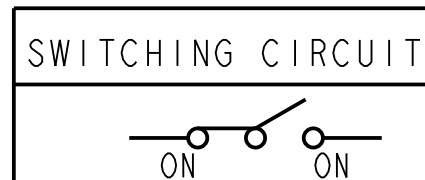
- RATING TO BE MARKED ON HOUSING: 10A 125 VAC
 10A 125VAC
 6A 250VAC
 10(4)A 250V~ T125/55
 10(4)A 125/250V~
- DIELECTRIC STRENGTH: 1,000 VAC FOR 1 MINUTE
- INSULATION RESISTANCE: 100 MΩ MIN. AT 500 VDC
- INITIAL CONTACT RESISTANCE: 20 mΩ MAX.
- ELECTRICAL LIFE: 10,000 CYCLES
- ACTUATOR COLOR: BLACK
- TERMINALS: .187 (4.8) WIDE X .31 (0.8) THICK, HOLE DIAMETER .063 (1.6).
- RECOGNIZED TO U.S. AND CANADIAN REQUIREMENTS UNDER THE COMPONENT RECOGNITION PROGRAM OF UNDERWITERS LABORATORIES, INC.



Z = PANEL THICKNESS



DIM. Z	DIM. X	DIM. Y
.030 TO .049 [.75 TO 1.25]	.756 ^{+.004} _{-.000} [19.2 ^{+0.1} _{-0.0}]	.508 ^{+.006} _{-.000} [12.9 ^{+0.15} _{-0.0}]
.049 TO .079 [1.25 TO 2.0]	.764 ^{+.004} _{-.000} [19.4 ^{+0.1} _{-0.0}]	
.079 TO .118 [2.0 TO 3.0]	.780 ^{+.004} _{-.000} [19.8 ^{+0.1} _{-0.0}]	



DWN: TLM
 APVD: SG
 DATE: 28-Apr-06
 THIRD ANGLE PROJECTION



ZF Electronic Systems

PLEASANT PRAIRIE, WISCONSIN U.S.A.
 NAME / DESCRIPTION

SR ROCKER

H	Z000390631	03-Jan-17	GP	EL
REV	ECO NO.	DATE	PREP	APVD

PROJECT/ CSR
 4000000138

TOLERANCE UNLESS SPECIFIED			
DWG UNITS	X.XX	X.XXX	ANGLES
INCH	± 0.02	± 0.012	± 5 °

B ITEM NO. SRB23A2BBBNN
 SCALE: 2:1 SH 1 OF 1

8 7 6 5 4 3 2 1

ORIGINAL ON PROJE